

# DADF-B1

# PARTS CATALOG

REVISION 0

AB SIZE	F25 - 1601	ZSB00001 -
A/INCH SIZE	F25 - 1611	ZSC00001 -
A SIZE	F25 - 1621	ZSD00001 -
AB/INCH SIZE	F25 - 1631	ZSE00001 -

**Canon**

MAR. 1999

**FY8-31E5-000**

## PREFACE

This Parts Catalog contains listings of parts used in the Canon DADF-B1. Diagrams are provided with the listings to aid the service technician in identifying clearly, the item to be ordered.

Whenever ordering parts, consult this Parts Catalog for all of the information pertaining to each item. Be sure to include, in the Parts Request, the full item description, the item part number, and the quantity.

Canon Inc.

Office Imaging Products Technical Support Dept.3  
Office Imaging Products Technical Support Div.  
5-1, Hakusan 7-chome,  
Toride-shi, Ibaraki 302-8501, Japan

*COPYRIGHT © 1999 CANON INC.*

*Printed in Japan*

*Imprimé au Japon*

Use of this manual should be strictly supervised to avoid disclosure of confidential information.

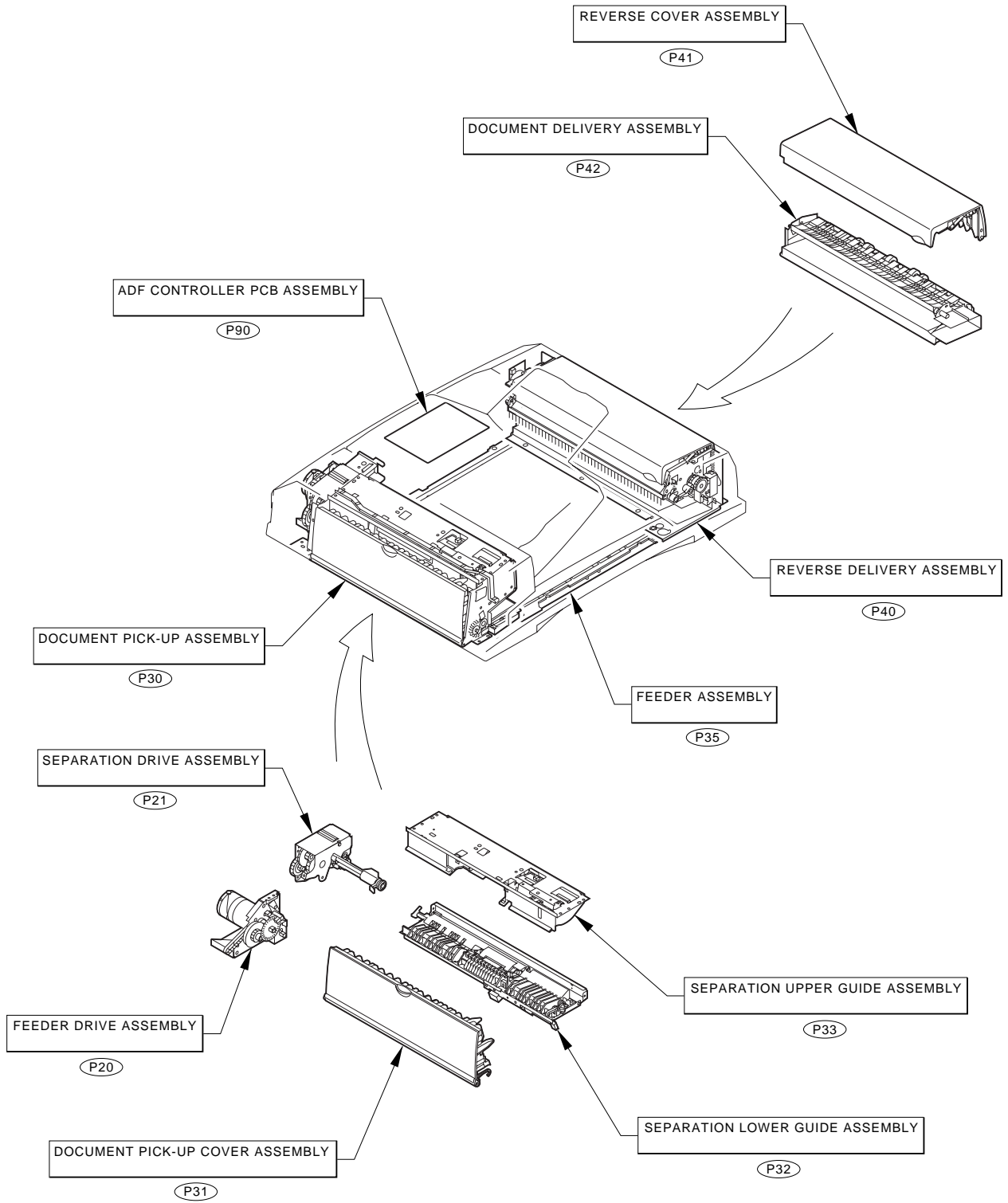
# CONTENTS

**-DADF-B1-**

- PA. ASSEMBLY LOCATION DIAGRAM**
  
- P01. MOUNTING HARDWARE**
  
- P10. MAIN COVER ASSEMBLY**
- P11. DOCUMENT TRAY ASSEMBLY**
  
- P20. FEEDER DRIVE ASSEMBLY**
- P21. SEPARATION DRIVE ASSEMBLY**
  
- P30. DOCUMENT PICK-UP ASSEMBLY**
- P31. DOCUMENT PICK-UP COVER ASSEMBLY**
- P32. SEPARATION LOWER GUIDE ASSEMBLY**
- P33. SEPARATION UPPER GUIDE ASSEMBLY**
- P35. FEEDER ASSEMBLY**
  
- P40. REVERSE DELIVERY ASSEMBLY**
- P41. REVERSE COVER ASSEMBLY**
- P42. DOCUMENT DELIVERY ASSEMBLY**
  
- P90. ADF CONTROLLER PCB ASSEMBLY**
  
- PB. LIST OF CONNECTORS**
  
- C. LIST OF STANDARD FASTENERS**
  
- PD. NUMERICAL INDEX**

# FIGURE PA

## ASSEMBLY LOCATION DIAGRAM



# FIGURE P01

## MOUNTING HARDWARE

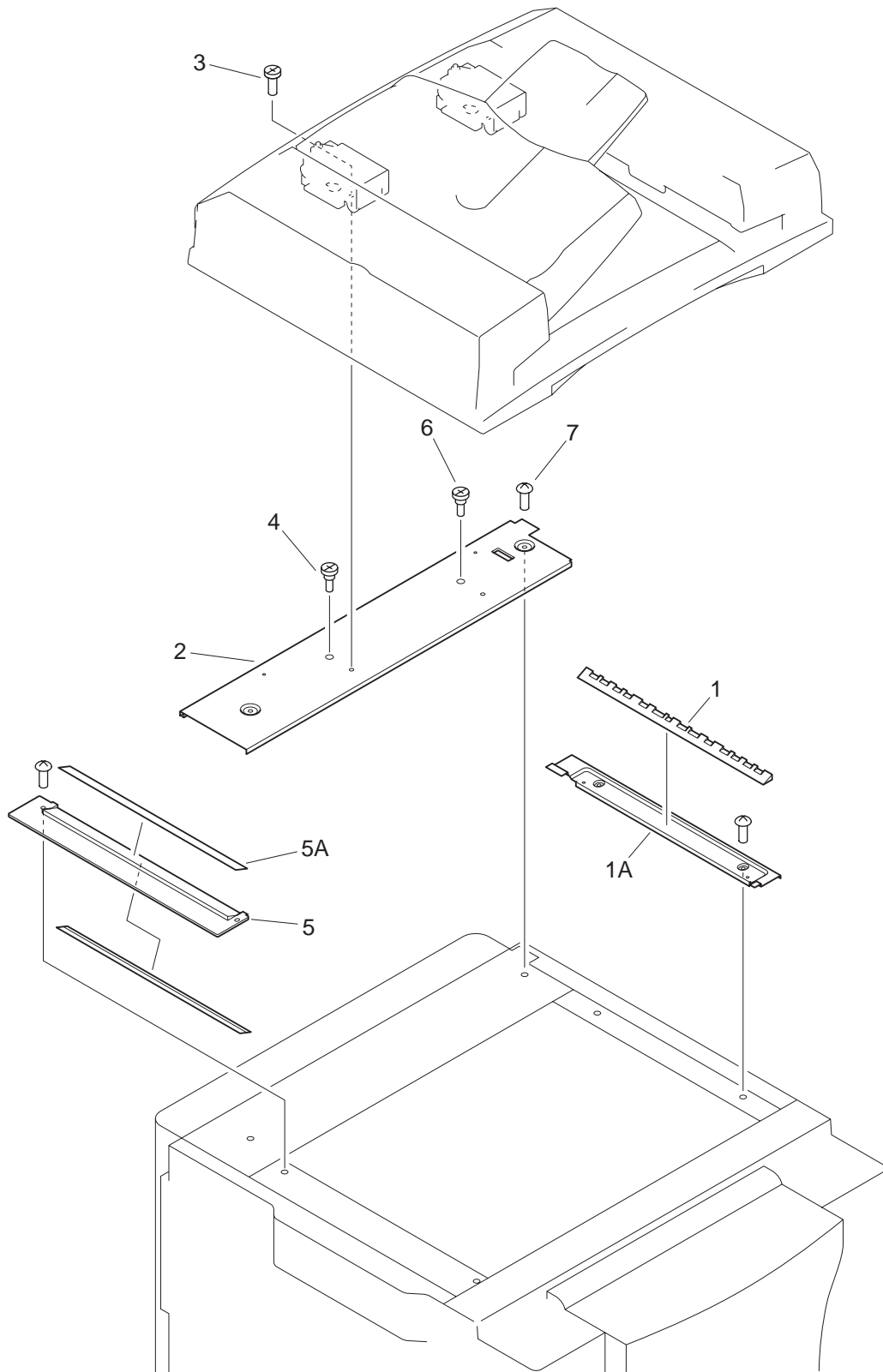


FIGURE & KEY NO.	PART NUMBER	RANK	QTY	DESCRIPTION	SERIAL NUMBER / REMARKS
P01 -	NPN		RF	MOUNTING HARDWARE	
1	FF5-9144-000		1	PLATE, JUMP, RIGHT	
1A	FB5-0423-000		1	RETAINER, GLASS, RIGHT	
2	FF5-9171-000		1	PANEL, UPPER, REAR	
3	FS5-9589-000		2	SCREW,M4	
4	FS5-9590-000		1	SCREW,STEPPED,M4	
5	FF5-9152-000		1	PLATE, JUMP, LEFT	AB SIZE
	FF5-9486-000		1	PLATE, JUMP, LEFT	A/INCH SIZE
	FF5-9487-000		1	PLATE, JUMP, LEFT	A SIZE
	FF5-9488-000		1	PLATE, JUMP, LEFT	AB/INCH SIZE
5A	FB5-0381-000		1	PLATE, INDEX, LEFT	AB SIZE
	FB5-2204-000		1	PLATE, INDEX, LEFT	A/INCH SIZE
	FB5-2205-000		1	PLATE, INDEX, LEFT	A SIZE
	FB5-2206-000		1	PLATE, INDEX, LEFT	AB/INCH SIZE
6	FS5-9591-000		1	SCREW,STEPPED,M4	
7	XA9-0633-000		2	SCREW,W/WASHER,M4X8	

# FIGURE P10

## MAIN COVER ASSEMBLY

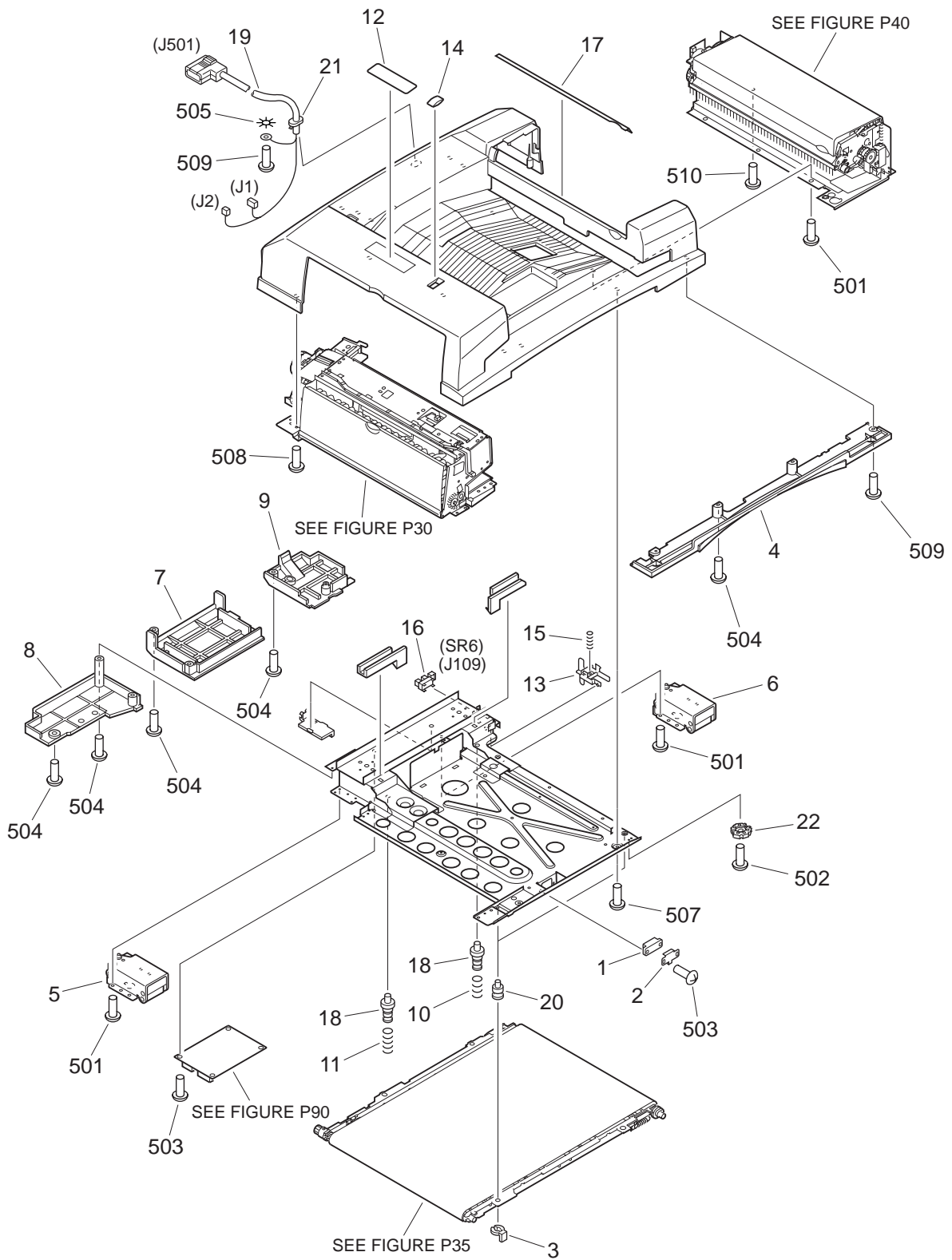


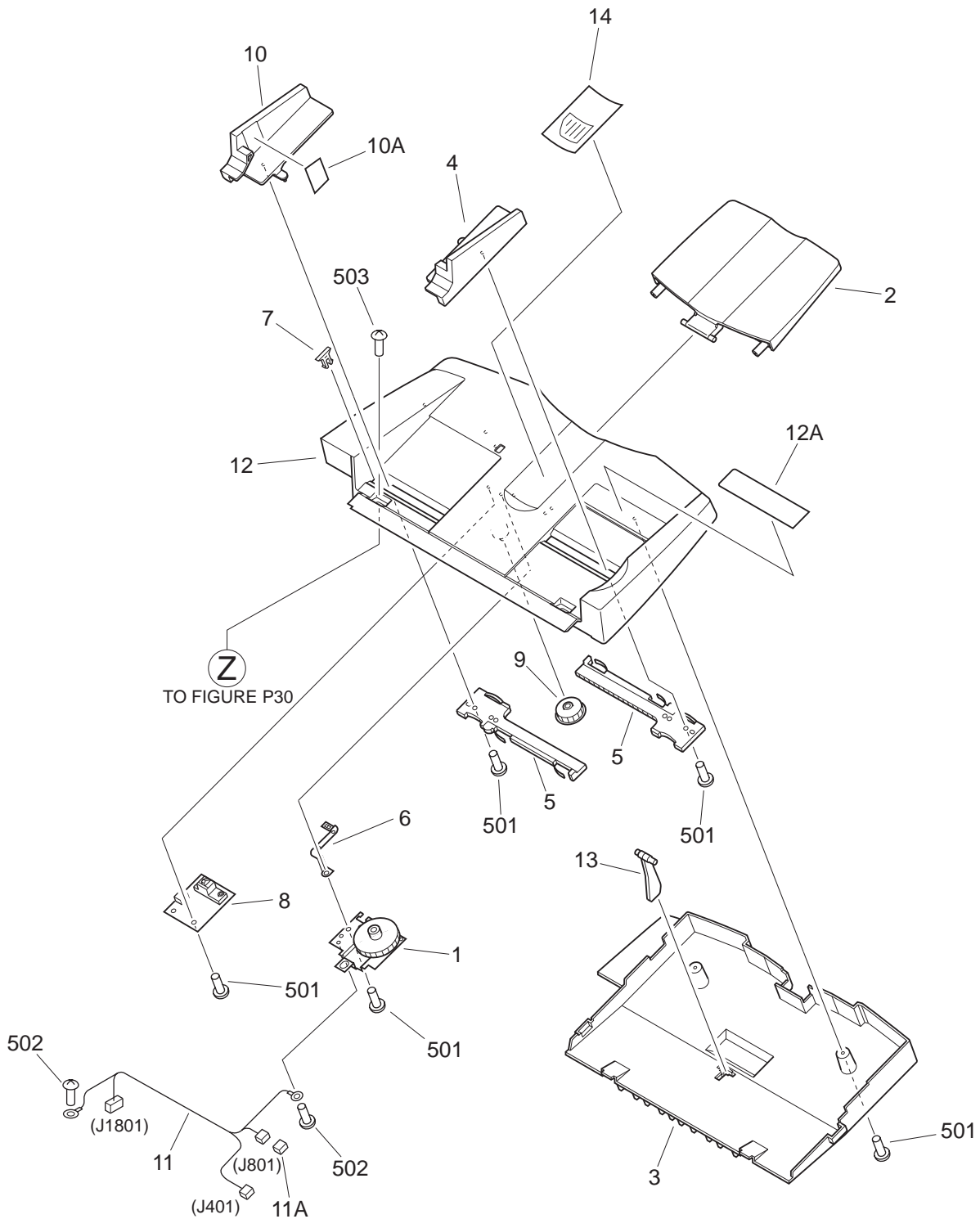
FIGURE & KEY NO.	PART NUMBER	R A N K	Q T Y	DESCRIPTION	SERIAL NUMBER / REMARKS
P10 -	NPN			MAIN COVER ASSEMBLY	
1	FA3-4725-000		1	CATCH, MAGNET	
2	FB3-5699-000		1	PLATE, GROUNDING	
3	FB4-6890-000		4	CLIP	
4	FB5-0420-000		1	COVER, FRONT	
5	FB5-0426-000		1	HINGE, LEFT	
6	FB5-0427-000		1	HINGE, RIGHT	
7	FB5-0524-000		1	COVER, PCB	
8	FB5-0525-000		1	COVER, LOWER, LEFT	
9	FB5-0526-000		1	COVER, LOWER, RIGHT	
10	FS7-2012-000		1	SPRING, COMPRESSION	
11	FS7-2237-000		1	SPRING, COMPRESSION	
12	FS6-8957-000		1	LABEL, CAUTION	
13	FB5-0512-000		1	ARM, SENSOR, OPEN/CLOSE	
14	FB4-6952-000		1	COVER, LED	
15	FS7-2236-000		1	SPRING, COMPRESSION	
16	WG8-5362-000		1	IC, TLP1241, PHOTO-INTERRUPTER	SR6 J109
17	FB5-2207-000		1	SHEET	
18	FS5-9587-000		2	SHAFT, BELT MOUNT, 2	
19	FG3-0487-000		1	INTERFACE CABLE	J1,2,501
20	FS5-9588-000		2	SHAFT, BELT MOUNT, 1	
21	FB5-0461-000		1	GROMMET	
22	FB5-2203-000		1	PLATE, ADJUST	
501	XB1-2400-609		AR	SCREW, MACH., TRUSS HEAD, M4X6	
502	XB1-2300-609		1	SCREW, MACH., TRUSS HEAD, M3X6	
503	XB6-7300-606		5	SCREW, TP, M3X6	
504	XB1-2400-806		7	SCREW, MACH., TRUSS HEAD, M4X8	
505	XD1-4200-302		1	WASHER, TOOTHED LOCK	
506	XB1-2300-606		1	SCREW, MACH., TRUSS HEAD, M3X6	
507	XB4-7400-809		AR	SCREW, TAPPING, TRUSS HEAD, M4X8	



FIGURE & KEY NO.	PART NUMBER	R A N K	Q T Y	DESCRIPTION	SERIAL NUMBER / REMARKS
P10 - 508	XB4-7400-806		AR	SCREW,TAPPING,TRUSS HEAD,M4X8	
509	XB4-7300-806		2	SCREW,TAPPING,TRUSS HEAD,M3X8	
510	XB4-7300-809		1	SCREW,TAPPING,TRUSS HEAD,M3X8	

# FIGURE P11

## DOCUMENT TRAY ASSEMBLY



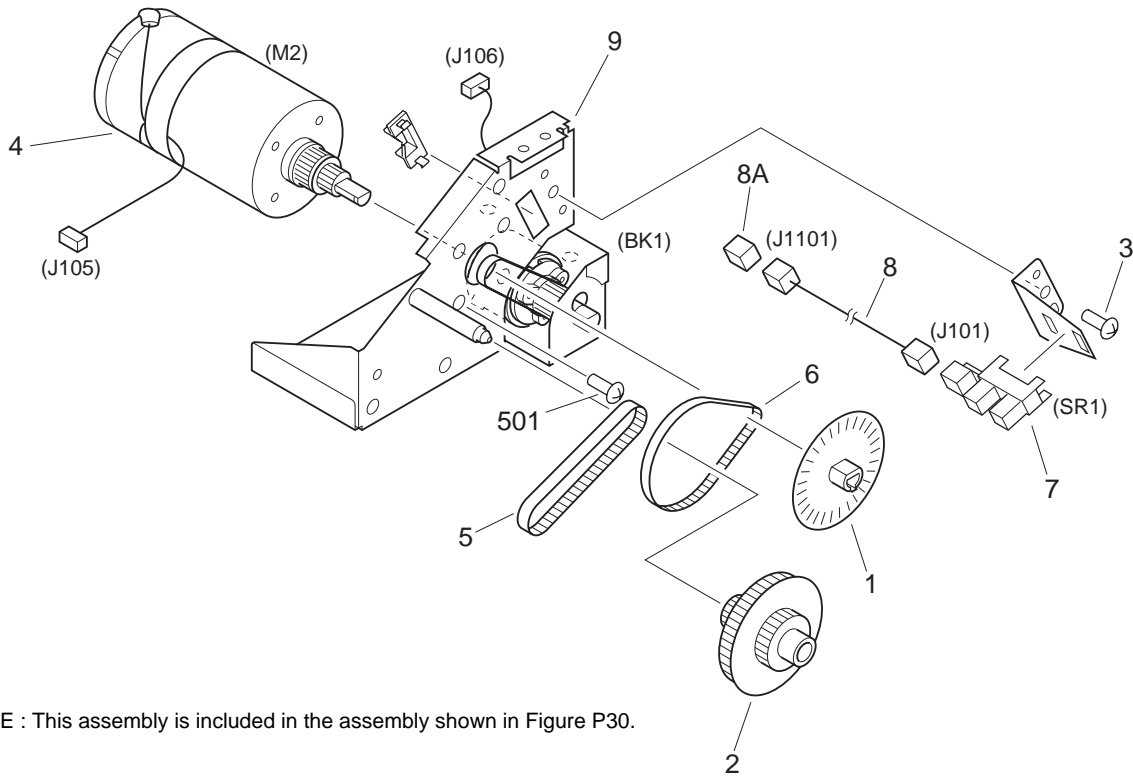
NOTE : This assembly does not include the part shown with key No. 503.

FIGURE & KEY NO.	PART NUMBER	RANK	QTY	DESCRIPTION	SERIAL NUMBER / REMARKS
P11 -	FG6-3961-000		1	DOCUMENT TRAY ASSEMBLY	AB SIZE
	FG6-3958-000		1	DOCUMENT TRAY ASSEMBLY	A/INCH SIZE
	FG6-3959-000		1	DOCUMENT TRAY ASSEMBLY	A SIZE
	FG6-3960-000		1	DOCUMENT TRAY ASSEMBLY	AB/INCH SIZE
	1	FG6-4562-000		1	ROTARY VR ASSEMBLY
2	FB5-0504-000		1	TRAY, SUPPORT	
3	FB5-0505-000		1	COVER, TRAY, LOWER	
4	FB5-0506-000		1	GUIDE, SIDE, FRONT	
5	FB5-0508-000		2	RACK	
6	FB5-0510-000		1	PLATE, GROUNDING	
7	FB5-0511-000		1	BLOCK, LIMIT	
8	FG6-4563-000		1	PRE-LAST SENSOR PCB ASSEMBLY	
9	FS6-0509-000		1	GEAR, 26T	
10	FF5-9485-000		1	GUIDE, SIDE, RIGHT	AB,A SIZE
	FF5-9492-000		1	GUIDE, SIDE, RIGHT	A/INCH,AB/INCH SIZE
10A	FS6-8851-000		1	LABEL, PAPER LOAD	AB,A SIZE
	FS6-8956-000		1	LABEL, PAPER LOAD	A/INCH,AB/INCH SIZE
11	FG3-0491-000		1	TRAY CABLE	J401,801,1801
11A	VS1-6198-003		1	CONNECTOR, SNAP TIGHT	J801
12	FF5-9484-000		1	TRAY, DOCUMENT	AB SIZE
12A	FF5-9489-000		1	TRAY, DOCUMENT	A/INCH SIZE
	FF5-9490-000		1	TRAY, DOCUMENT	A SIZE
	FF5-9491-000		1	TRAY, DOCUMENT	AB/INCH SIZE
	FS6-8850-000		1	LABEL, DOCUMENT SIZE	AB SIZE
	FS6-8852-000		1	LABEL, DOCUMENT SIZE	A/INCH SIZE
13	FS6-8853-000		1	LABEL, DOCUMENT SIZE	A SIZE
	FS6-8854-000		1	LABEL, DOCUMENT SIZE	AB/INCH SIZE
14	FB5-0418-000		1	WEIGHT, DELIVERY	
14	FS6-8958-000		1	LABEL, DOCUMENT SET	
501	XB4-7300-809		9	SCREW,TAPPING,TRUSS HEAD,M3X8	

FIGURE & KEY NO.	PART NUMBER	R A N K	Q T Y	DESCRIPTION	SERIAL NUMBER / REMARKS
P11 - 502	XB4-7300-609		2	SCREW,TAPPING,TRUSS HEAD,M3X6	
503	XB6-7400-806		2	SCREW,TP,M4X8	SEE NOTE

# FIGURE P20

## FEEDER DRIVE ASSEMBLY

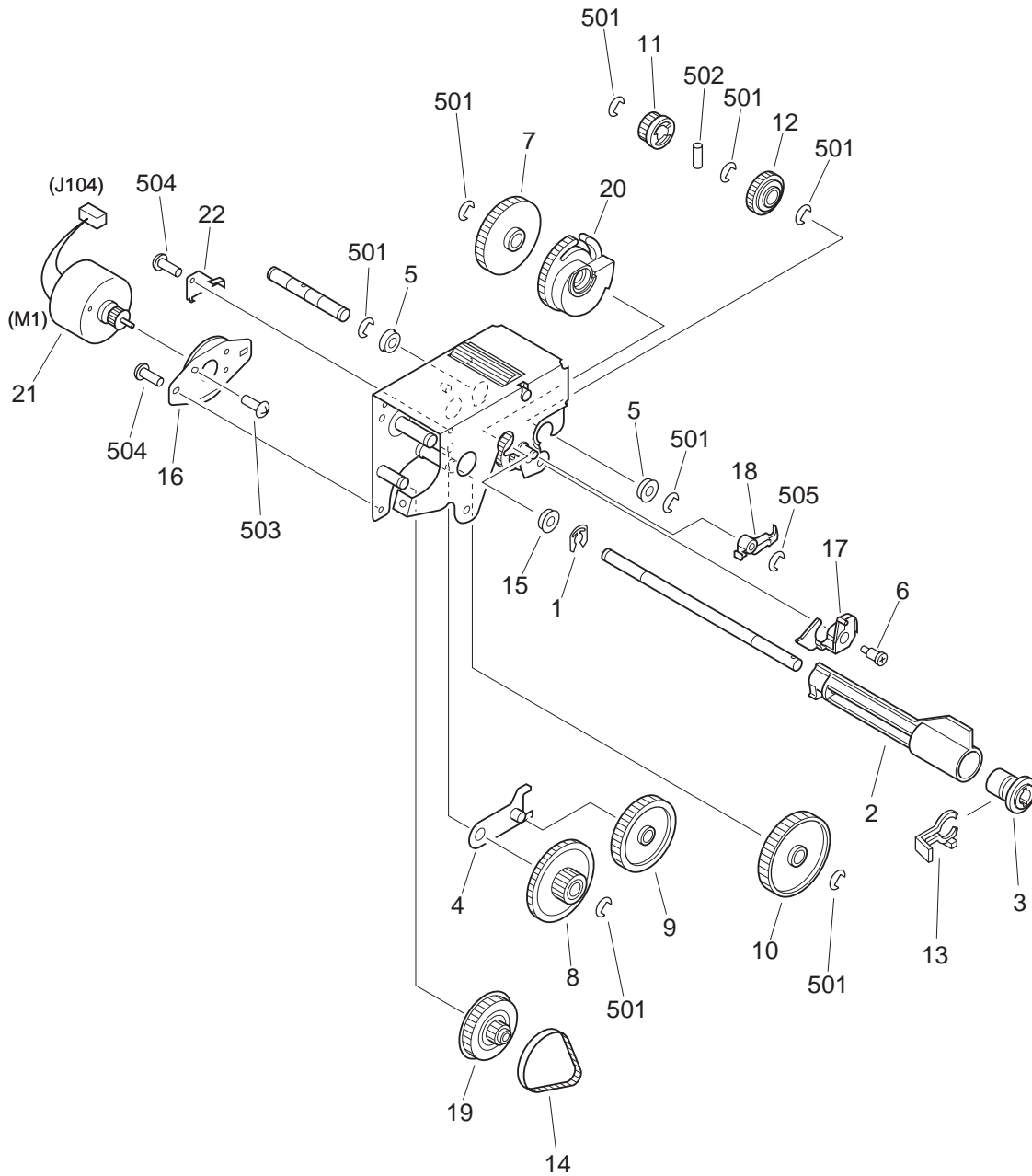


NOTE : This assembly is included in the assembly shown in Figure P30.

FIGURE & KEY NO.	PART NUMBER	RANK	QTY	DESCRIPTION	SERIAL NUMBER / REMARKS
P20 -	FG6-3962-000		1	FEEDER DRIVE ASSEMBLY	SEE NOTE
1	FB5-0491-000		1	PLATE, CLOCK	
2	FS5-3760-000		1	PULLEY, 16T/63T/GEAR, 24T	
3	XA9-0892-000		1	SCREW,MACH.,TRUSS HEAD,M4X6	
4	FH6-1672-000		1	MOTOR, DC	M2 J105
5	XF2-1106-080		1	BELT, TIMING	
6	XF2-1107-660		1	BELT, TIMING	
7	WG8-5426-000		1	IC,GP1AQ73A,PHOTO-INTERRUPTER	SR1 J101
8	FG3-0545-000		1	FEEDER CLOCK CABLE	J101,1101
8A	VS1-6198-003		1	CONNECTOR, SNAP TIGHT	J1101
9	FG6-3964-000		1	BRAKE UNIT	BK1 J106
501	XB1-2400-609		4	SCREW,MACH.,TRUSS HEAD,M4X6	

# FIGURE P21

## SEPARATION DRIVE ASSEMBLY

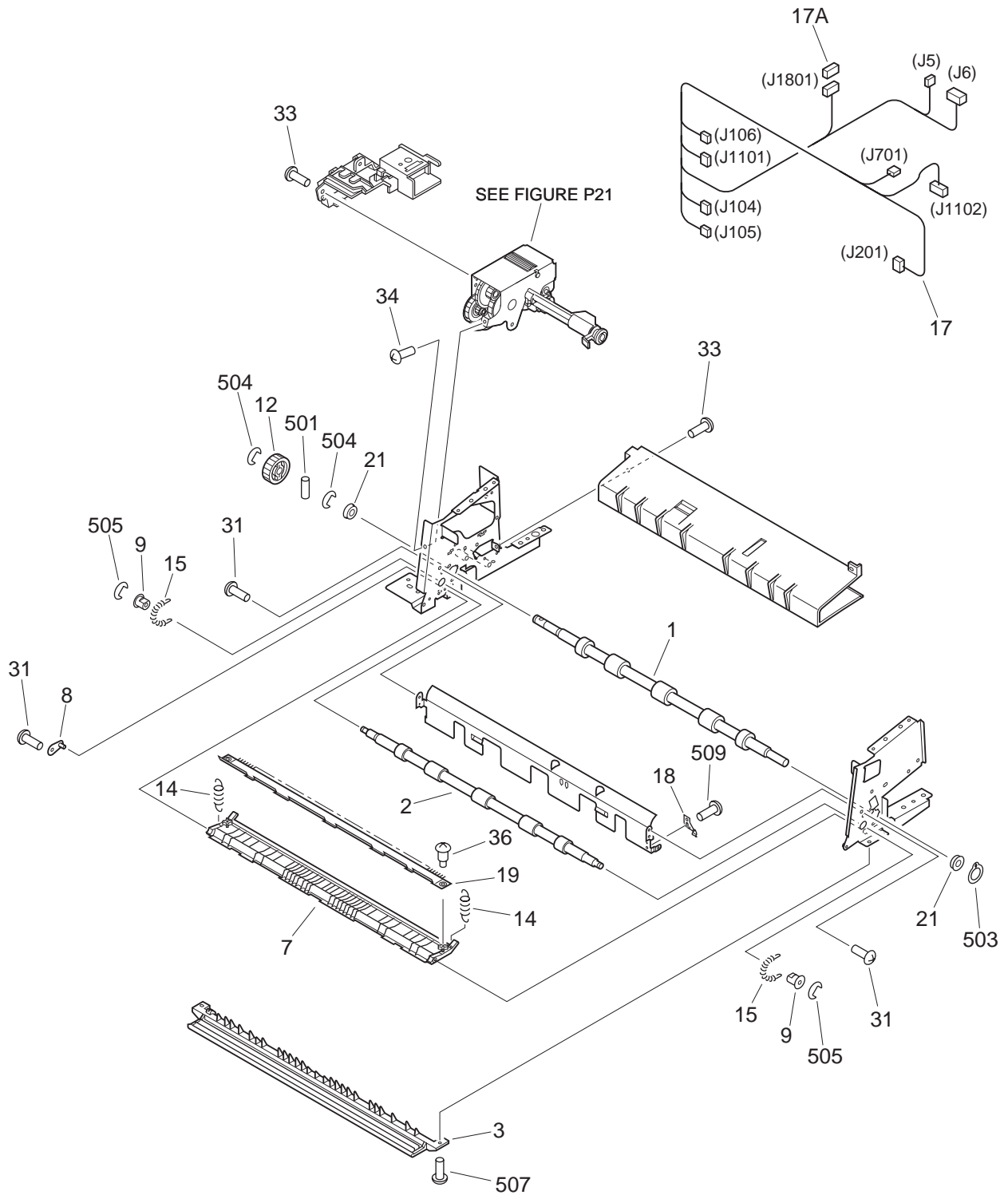


NOTE : This assembly is included in the assembly shown in Figure P30.

FIGURE & KEY NO.	PART NUMBER	R A N K	Q T Y	DESCRIPTION	SERIAL NUMBER / REMARKS
P21 -	FG6-3963-000		1	SEPARATION DRIVE ASSEMBLY	SEE NOTE
1	FA3-8727-000		1	RING, RETAINING	
2	FB5-0483-000		1	JOINT, ROLLER, PICK-UP	
3	FB5-0484-000		1	COUPLING, SEPARATION ROLLER	
4	FF5-9165-000		1	PLATE, SWING	
5	FS1-1346-000		2	BUSHING	
6	FS5-9586-000		1	SCREW, STEPPED, M4	
7	FS6-0617-000		1	GEAR, PICK-UP, 44T	
8	FS7-0473-000		1	GEAR, 16T/64T/16T	
9	FS7-0474-000		1	GEAR, 38T	
10	FS7-0475-000		1	GEAR, 50T	
11	FS7-0478-000		1	GEAR, 14T	
12	FS7-0479-000		1	GEAR, 21T	
13	FB5-2225-000		1	CLIP, COUPLING	
14	XF2-1206-032		1	BELT, TIMING	
15	FS1-1213-000		1	BUSHING	
16	FF5-9153-000		1	PLATE, SEPARATION MOTOR	
17	FB5-0495-000		1	LINK, CAM, A	
18	FB5-0496-000		1	LINK, CAM, B	
19	FS5-3757-000		1	GEAR, 14T/PULLEY, 44T	
20	FS7-0481-000		1	GEAR, 44T	
21	FH6-1671-000		1	MOTOR, DC	M1 J104
22	FB5-2208-000		1	SPRING, LEAF	
501	XD2-1100-502		8	RING, E	
502	XD3-2200-102		1	PIN, DOWEL	
503	XB1-2260-409		2	SCREW, MACH., TRUSS HEAD, M2.6X4	
504	XB1-2300-609		3	SCREW, MACH., TRUSS HEAD, M3X6	
505	XD2-1100-402		1	RING, E	

# FIGURE P30

## DOCUMENT PICK-UP ASSEMBLY (1/2)



NOTE 1 : This assembly includes the assemblies shown in Figure P20,P21,P31,P32 and P33.

NOTE 2 : This assembly does not include the parts shown with key No. 37 and 510.



# FIGURE P30

## DOCUMENT PICK-UP ASSEMBLY (2/2)

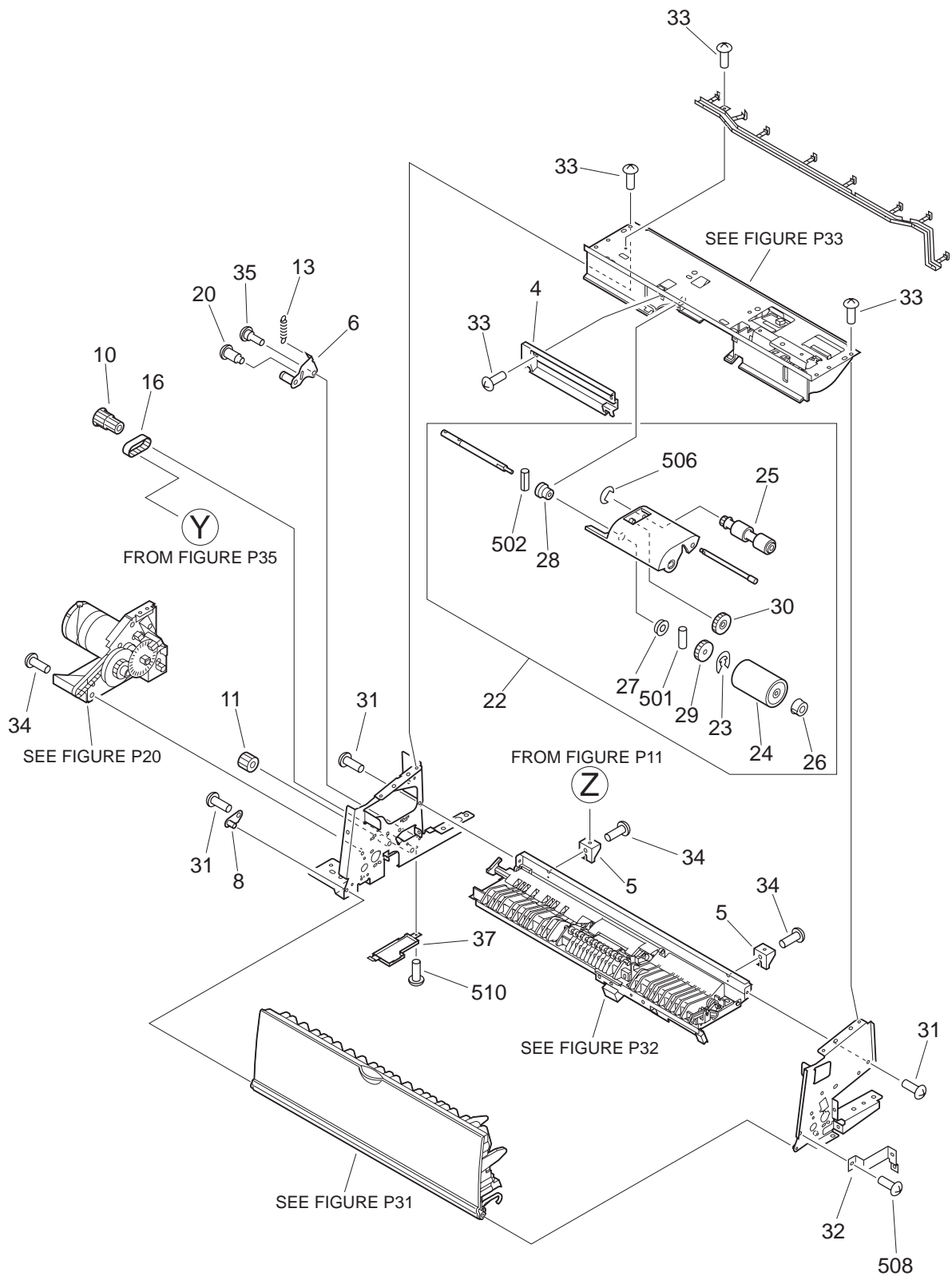
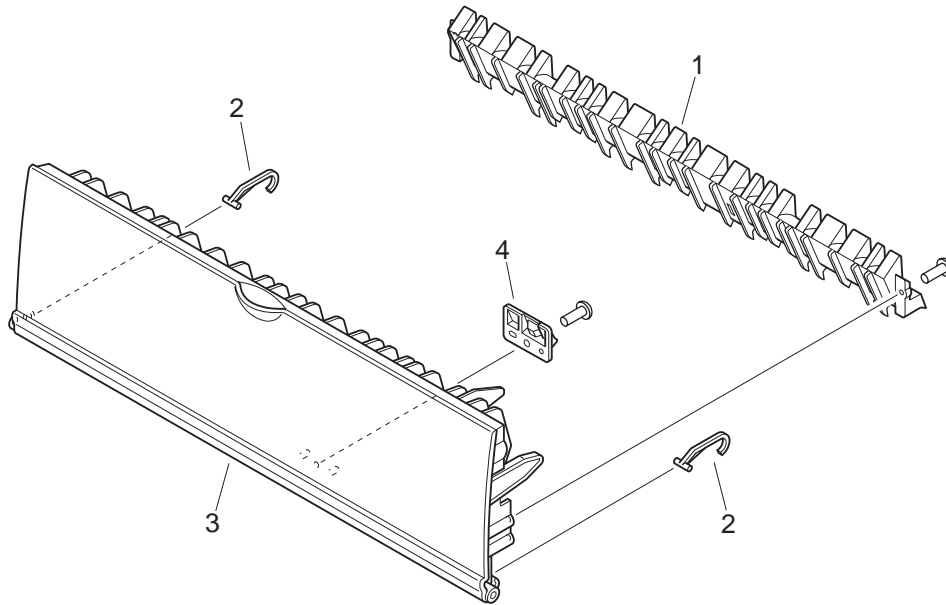


FIGURE & KEY NO.	PART NUMBER	RANK	QTY	DESCRIPTION	SERIAL NUMBER / REMARKS
P30 -	FG6-3950-000		1	DOCUMENT PICK-UP ASSEMBLY	SEE NOTE 1
1	FB5-0430-000		1	ROLLER, REGISTRATION, 1	
2	FB5-0431-000		1	ROLLER, REGISTRATION, 2	
3	FB5-0437-000		1	GUIDE, DOCUMENT PICK-UP, LOWER	
4	FB5-0440-000		1	COVER, SEPARATION ROLLER	
5	FB5-0475-000		2	SUPPORT, TRAY	
6	FF5-9156-000		1	ROLLER, TENSION	
7	FF5-9158-000		1	GUIDE, DOCUMENT, CENTER	
8	FF5-9159-000		2	PLATE, COVER MOUNT	
9	FS5-1902-000		2	BUSHING	
10	FS5-3758-000		1	PULLEY, 14T/25T	
11	FS7-0467-000		1	GEAR, 20T	
12	FS7-0468-000		1	GEAR, 34T	
13	FS7-2231-000		1	SPRING, TENSION	
14	FS7-2232-000		2	SPRING, TENSION	
15	FS7-2233-000		2	SPRING, TENSION	
16	XF2-1303-495		1	BELT, TIMING	
17	FG3-0488-000		1	PICK-UP CABLE	J5,6,104-106,201,701 J1101,1102,1801
17A	VS1-5057-008		1	CONNECTOR, SNAP TIGHT	J1801
18	FB5-0500-000		1	PLATE, GROUNDING	
19	FF5-9157-000		1	GUIDE, INTERNAL, PICK-UP	
20	FS2-9394-000		1	SCREW, STEPPED, M3X1.4	
21	FS1-1510-000		2	BUSHING	
22	FG6-3954-000		1	SEPARATION ROLLER ASSEMBLY	
23	FA3-8727-000		1	RING, RETAINING	
24	FB5-0466-000		1	ROLLER, SEPARATION	
25	FB5-0486-000		1	ROLLER, PICK-UP	
26	FS1-1528-000		1	BUSHING	
27	FS2-1357-000		1	BUSHING	
28	FS5-1903-000		1	BUSHING	

FIGURE & KEY NO.	PART NUMBER	R A N K	Q T Y	DESCRIPTION	SERIAL NUMBER / REMARKS
P30 - 29	FS7-0469-000		1	GEAR, 30T	
30	FS7-0470-000		1	GEAR, 35T	
31	FS5-9439-000		AR	SCREW,MACH.,TRUSS HEAD,M3X4	
32	FB5-2233-000		1	PLATE, SUPPORT	
33	XA9-0894-000		AR	SCREW,M3X6	
34	XA9-0892-000		AR	SCREW,MACH.,TRUSS HEAD,M4X6	
35	RS5-9061-000		1	SCREW,STEPPED,M3	
36	FS5-9563-000		2	SCREW,STEPPED,M3X1.4	
37	FB5-0501-000		1	COVER, BELT	SEE NOTE 2
501	XD3-2200-122		2	PIN,DOWEL	
502	XD3-1200-082		1	PIN,SPRING	
503	XD2-2100-802		1	RING,GRIP	
504	XD2-1100-642		2	RING,E	
505	XD2-1100-502		2	RING,E	
506	XD2-1100-322		1	RING,E	
507	XB1-2300-607		2	SCREW,MACH.,TRUSS HEAD,M3X6	
508	XB1-2300-409		3	SCREW,MACH.,TRUSS HEAD,M3X4	
509	XB1-2300-406		1	SCREW,MACH.,TRUSS HEAD,M3X4	
510	XB6-7300-609		1	SCREW,TP,M3X6	SEE NOTE 2

# FIGURE P31

## DOCUMENT PICK-UP COVER ASSEMBLY

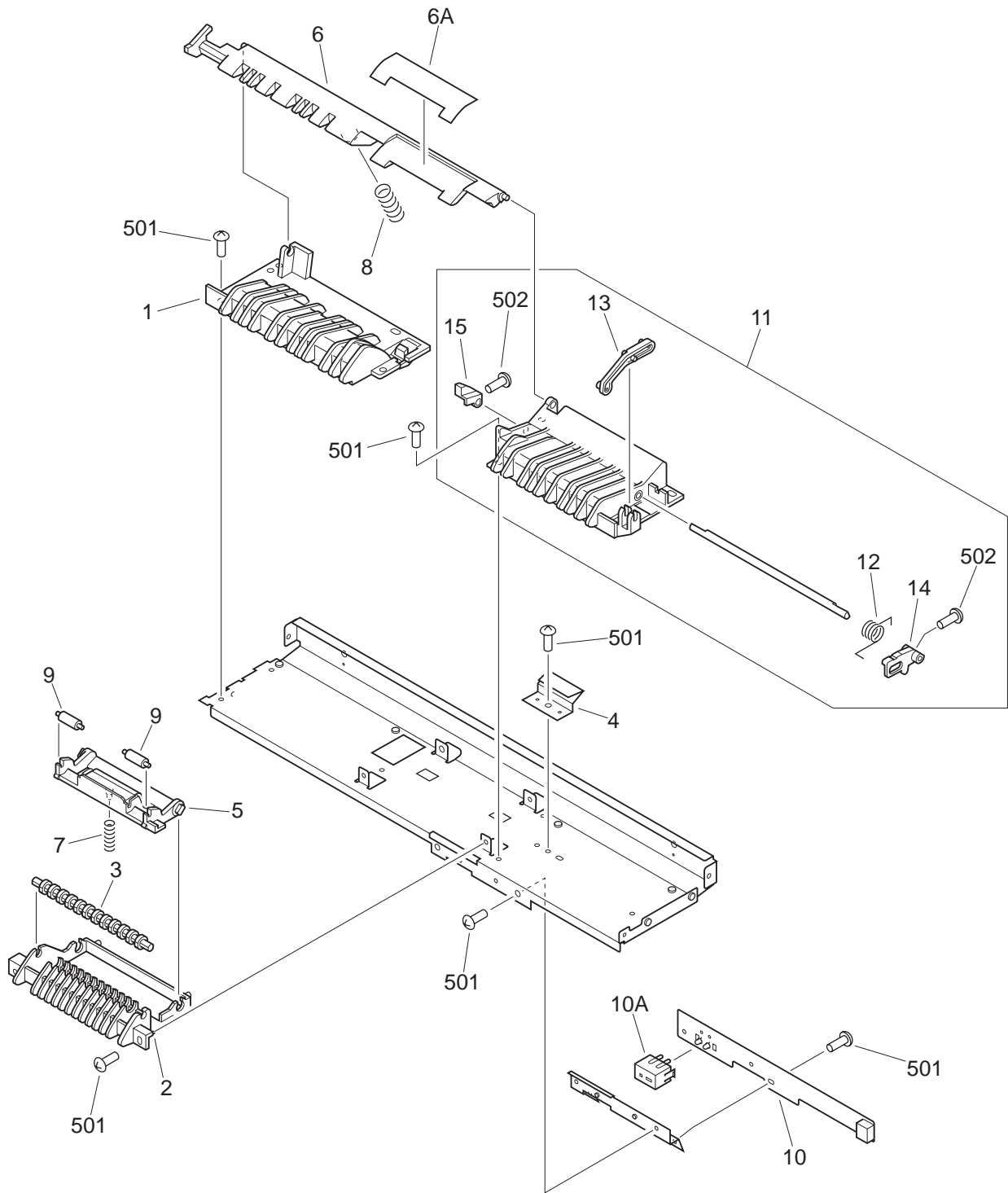


NOTE : This assembly is included in the assembly shown in Figure P30.

FIGURE & KEY NO.	PART NUMBER	RANK	QTY	DESCRIPTION	SERIAL NUMBER / REMARKS
P31 -	FG6-3956-000		1	DOCUMENT PICK-UP COVER ASS'Y	SEE NOTE
1	FB5-0470-000		1	GUIDE, REGISTRATION, OUTER	
2	FB5-0472-000		2	ARM, RELEASE, REGISTRATION	
3	FF5-9162-000		1	COVER, DOCUMENT PICK-UP	
4	FF5-9163-000		1	PRISM, REGISTRATION	
-----					
-----					
-----					

# FIGURE P32

## SEPARATION LOWER GUIDE ASSEMBLY

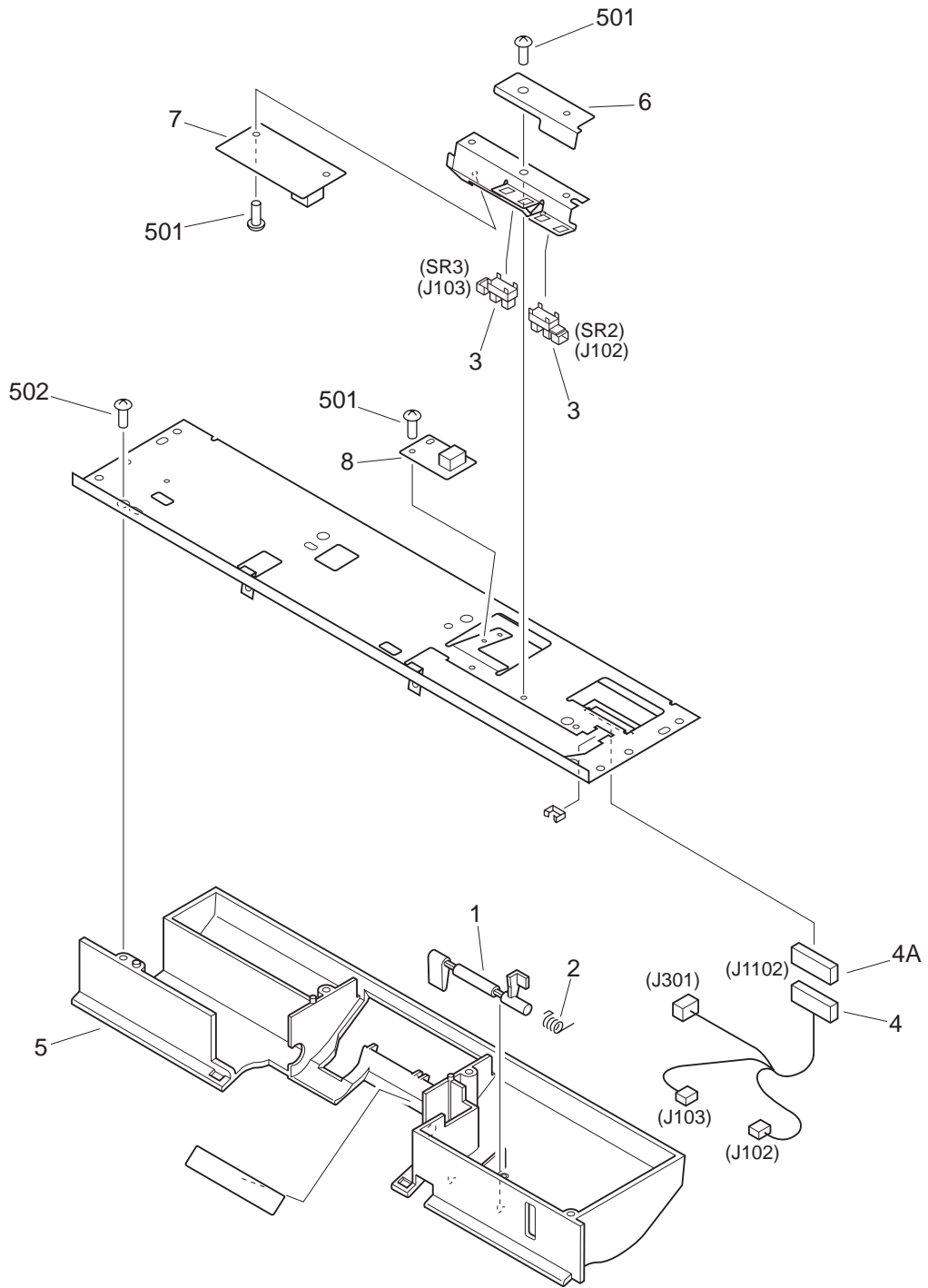


NOTE : This assembly is included in the assembly shown in Figure P30.

FIGURE & KEY NO.	PART NUMBER	RANK	QTY	DESCRIPTION	SERIAL NUMBER / REMARKS
P32 -	FG6-3952-000		1	SEPARATION LOWER GUIDE ASS'Y	SEE NOTE
1	FB5-0451-000		1	GUIDE, SEPARATION LOWER, REAR	
2	FB5-0457-000		1	MOUNT, SEPARATION PAD	
3	FB5-0490-000		1	ROLLER, GUIDE	
4	FF5-9154-000		1	PRISM, DOCUMENT DETECTION	
5	FF5-9160-000		1	PAD, SEPARATION	
6	FF5-9161-000		1	LIFTER	
6A	FB5-0494-000		1	SHEET	
7	FS6-2370-000		1	SPRING, COMPRESSION	
8	FS7-2234-000		1	SPRING, COMPRESSION	
9	FS5-6703-000		2	ROLLER, PAD	
10	FG6-3953-000		1	PRE-REGISTRATION SENSOR ASS'Y	
10A	FB5-0474-000		1	CAP, LED	
11	FG6-3957-000		1	PAD RELEASE LEVER ASSEMBLY	
12	FB5-0452-000		1	SPRING, TORSION	
13	FB5-0454-000		1	LEVER, PAD RELEASE, 1	
14	FB5-0455-000		1	LEVER, PAD RELEASE, 2	
15	FB5-0456-000		1	LEVER, PAD RELEASE, 3	
501	XB1-2300-609		13	SCREW, MACH., TRUSS HEAD, M3X6	
502	XB1-2300-409		2	SCREW, MACH., TRUSS HEAD, M3X4	

# FIGURE P33

## SEPARATION UPPER GUIDE ASSEMBLY



NOTE : This assembly is included in the assembly shown in Figure P30.

FIGURE & KEY NO.	PART NUMBER	RANK	QTY	DESCRIPTION	SERIAL NUMBER / REMARKS
P33 -	FG6-3951-000		1	SEPARATION UPPER GUIDE ASS'Y	SEE NOTE
1	FB5-0447-000		1	FLAG, SEPARATION SENSOR	
2	FB5-0498-000		1	SPRING, TORSION	
3	WG8-5362-000		2	IC, TLP1241, PHOTO-INTERRUPTER	SR2,3 J102,103
4	FG3-0490-000		1	PICK-UP CENTER CABLE	J102,103,301,1102
4A	VS1-5057-011		1	CONNECTOR, SNAP TIGHT	J1102
5	FF5-9483-000		1	GUIDE, SEPARATION UPPER	
6	FB5-0382-000		1	SHEET, PICK-UP CABLE	
7	FG3-0235-000		1	DOCUMENT SENSOR PCB ASSEMBLY	
8	FG3-0485-000		1	DISPLAY LED PCB ASSEMBLY	
501	XB1-2300-609		5	SCREW,MACH.,TRUSS HEAD,M3X6	
502	XB4-7400-809		4	SCREW,TAPPING,TRUSS HEAD,M4X8	



# FIGURE P35

## FEEDER ASSEMBLY

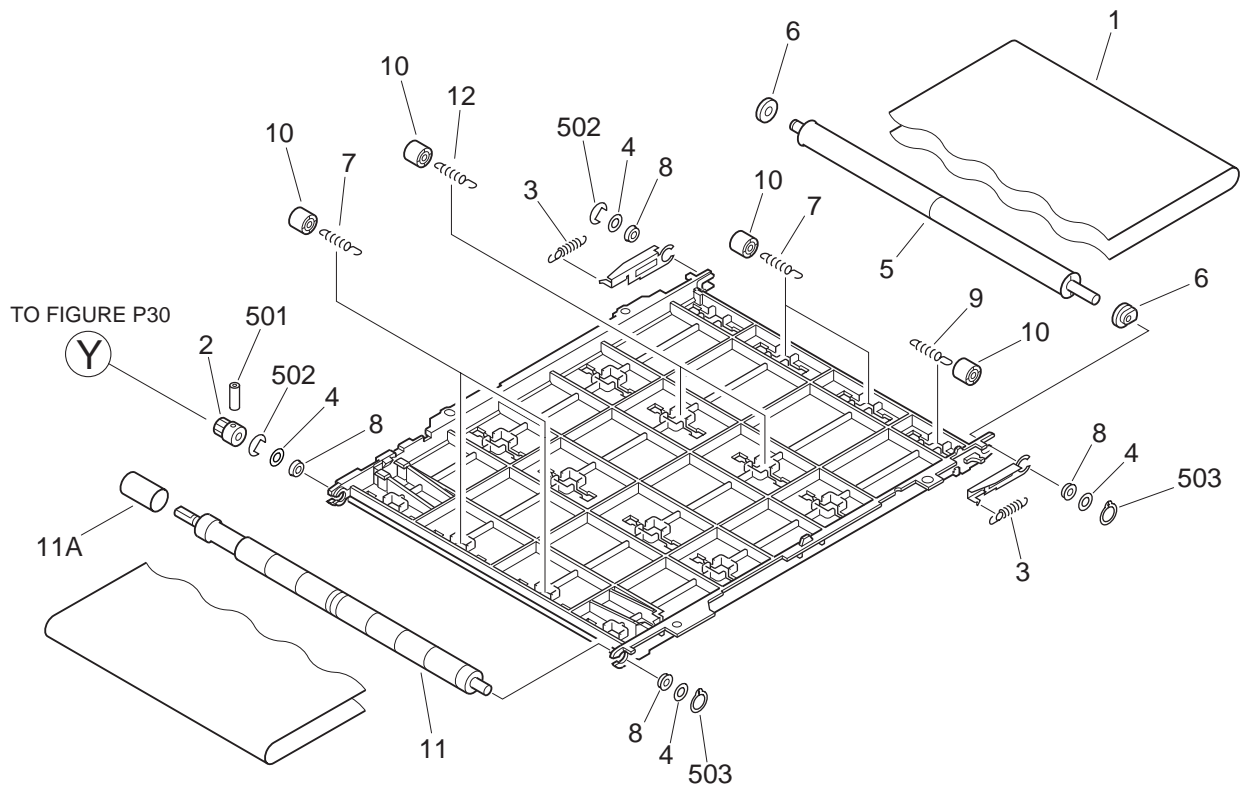
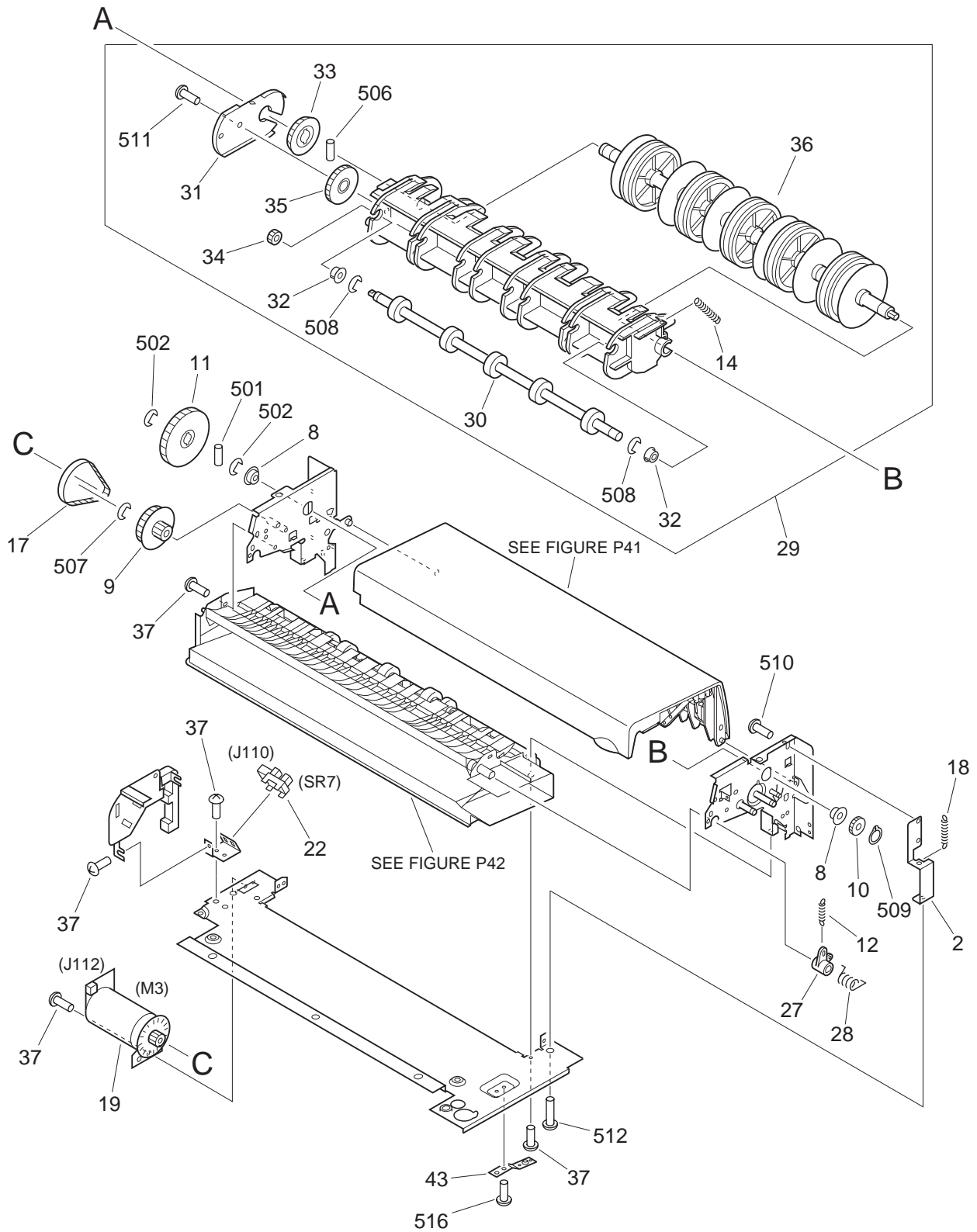


FIGURE & KEY NO.	PART NUMBER	RANK	QTY	DESCRIPTION	SERIAL NUMBER / REMARKS
P35 -	FG6-3965-000		1	FEEDER ASSEMBLY	
1	FB4-6934-000		1	BELT, FEEDER	
2	FB5-0521-000		1	PULLEY, 14T	
3	FS7-2239-000		2	SPRING, TENSION	
4	XD9-0151-000		4	WASHER	
5	FG6-3966-000		1	ROLLER, IDLER, FEEDER BELT	
6	FB5-0419-000		2	FLANGE	
7	FS7-2229-000		4	SPRING, TENSION	
8	XG9-0403-000		4	BEARING, BALL	
9	FS7-2230-000		8	SPRING, TENSION	
10	FB5-2215-000		14	ROLLER, BELT PRESSURE	
11	FG6-3967-000		1	ROLLER, DRIVE, FEEDER BELT	
11A	FB4-6918-000		8	RUBBER, ROLLER	
12	FS7-2364-000		2	SPRING, TENSION	
501	XB6-2400-409		1	SETSCREW,M4X4	
502	XD2-1100-642		2	RING,E	
503	XD2-2100-802		2	RING,GRIP	

# FIGURE P40

## REVERSE DELIVERY ASSEMBLY (1/2)



NOTE 1 : This assembly includes the assemblies shown in Figure P41, P42.

NOTE 2 : This assembly does not include the parts shown with key No. 43 and 516.

# FIGURE P40

## REVERSE DELIVERY ASSEMBLY (2/2)

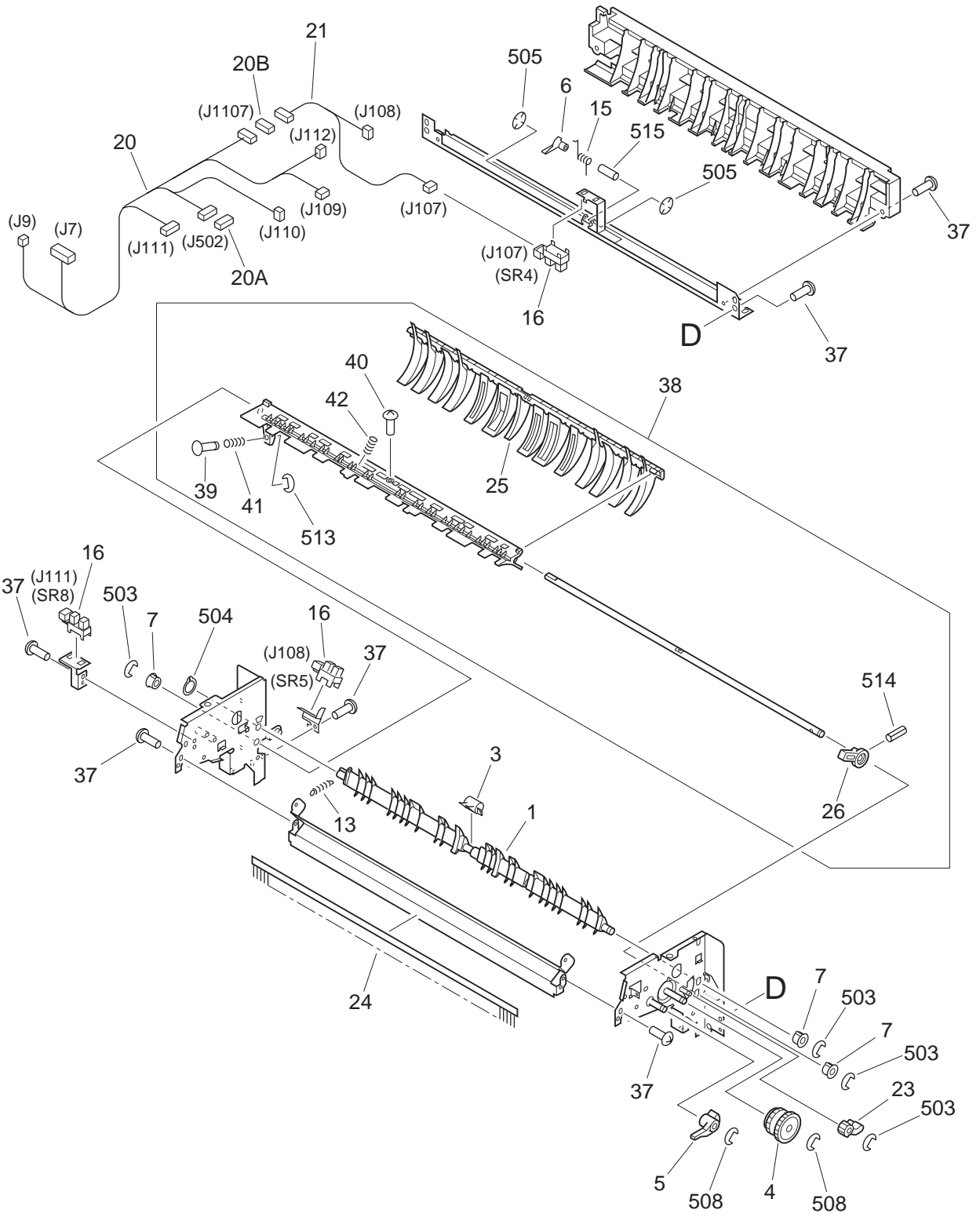


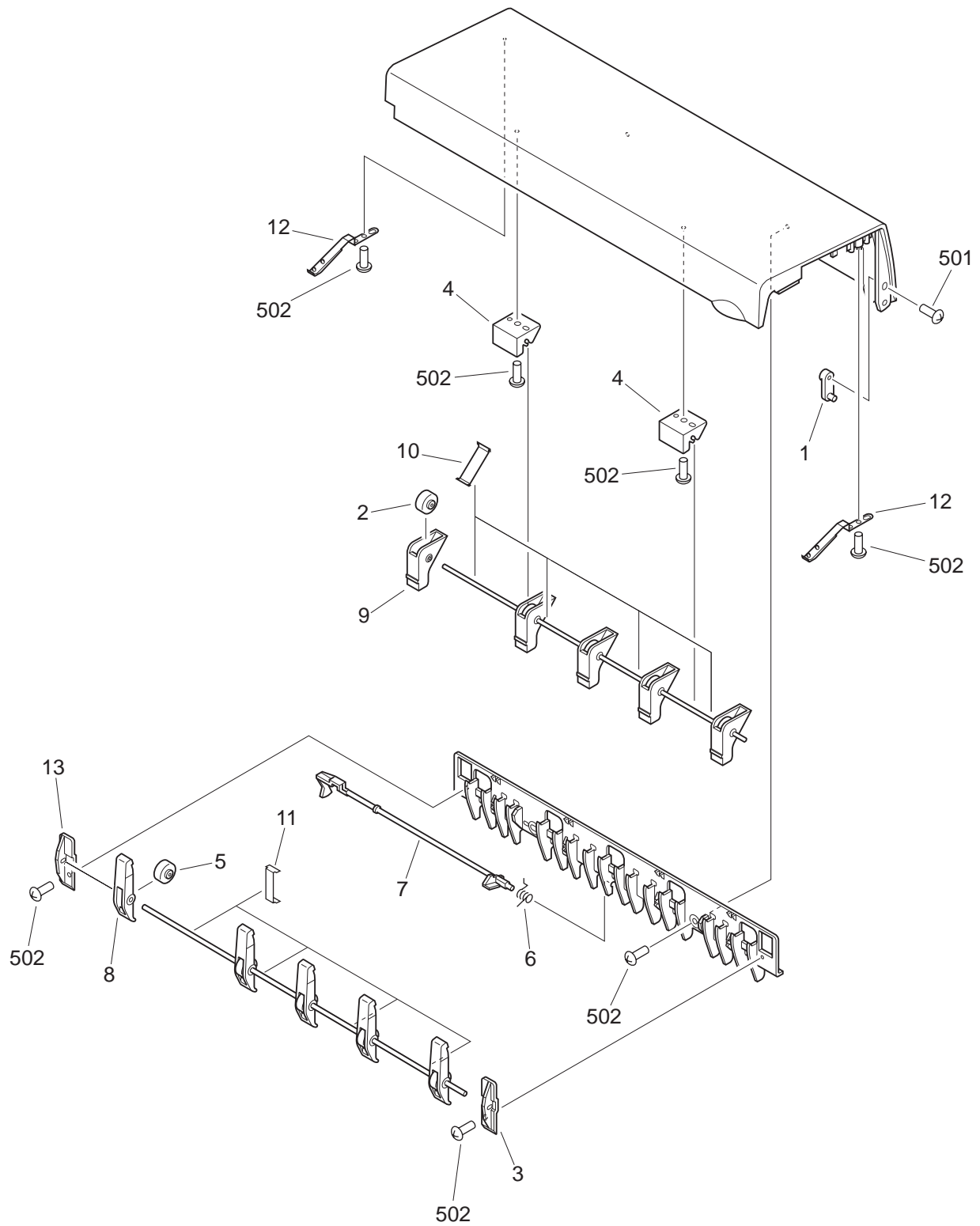
FIGURE & KEY NO.	PART NUMBER	RANK	QTY	DESCRIPTION	SERIAL NUMBER / REMARKS
P40 -	FG6-3938-000		1	REVERSE DELIVERY ASSEMBLY	SEE NOTE 1
1	FB5-0351-000		1	FLAPPER	
2	FB5-0358-000		1	PLATE, FLAPPER ADJUSTMENT	
3	FB5-0363-000		1	FLAG, SENSOR, DELIVERY	
4	FB5-0364-000		1	LIMITTER, TORQUE, DELIVERY	
5	FB5-0365-000		1	GEAR, 34T	
6	FB5-0375-000		1	FLAG, SENSOR, INLET	
7	FS5-1897-000		3	BUSHING	
8	FS5-1898-000		2	BUSHING	
9	FS5-3754-000		1	PULLEY, 64T/GEAR, 12T	
10	FS7-0462-000		1	GEAR, 16T	
11	FS7-0463-000		1	GEAR, 60T	
12	FS7-2222-000		1	SPRING, TENSION	
13	FS7-2223-000		1	SPRING, TENSION	
14	FS7-2225-000		1	SPRING, TENSION	
15	FS7-2226-000		1	SPRING, TORSION	
16	WG8-5362-000		3	IC, TLP1241, PHOTO-INTERRUPTER	SR4,5,8 J107,108,111
17	XF2-1108-740		1	BELT, TIMING	
18	FS7-2228-000		1	SPRING, TENSION	
19	FH6-1673-000		1	MOTOR, DC	M3 J112
20	FG3-0489-000		1	DELIVERY CABLE	J7,9,109-112,502 J1107
20A	VS1-6198-005		1	CONNECTOR, SNAP TIGHT	J502
20B	VS1-6198-006		1	CONNECTOR, SNAP TIGHT	J1107
21	FG3-0492-000		1	DELIVERY INLET CABLE	J107,108,1107
22	WG8-5426-000		1	IC,GP1AQ73A,PHOTO-INTERRUPTER	SR7 J110
23	FB5-0367-000		1	GEAR, 12T	
24	FB5-2218-000		1	STATIC CHARGE ELIMINATOR	
25	FF5-9150-000		1	FLAPPER, INLET, 2	
26	FB5-0360-000		1	ARM, FLAPPER	
27	FB5-0414-000		1	ARM, FLAPPER, OUTLET	

FIGURE & KEY NO.	PART NUMBER	R A N K	Q T Y	DESCRIPTION	SERIAL NUMBER / REMARKS
P40 - 28	FB5-0415-000		1	SPRING, TORSION	
29	FG6-3940-000		1	CENTER GUIDE ASSEMBLY	
30	FB5-0394-000		1	ROLLER, FEEDER	
31	FB5-0398-000		1	COVER, GEAR, FEEDER	
32	FS5-1899-000		2	BUSHING	
33	FS7-0464-000		1	GEAR, 50T	
34	FS7-0465-000		1	GEAR, 15T	
35	FS7-0466-000		1	GEAR, 58T	
36	FB5-0352-000		1	ROLLER, REVERSE	
37	XA9-0894-000		AR	SCREW,M3X6	
38	FG6-3941-000		1	INLET FLAPPER ASSEMBLY	
39	FB5-0403-000		1	SHAFT, FLAPPER COMPRESSION	
40	FB5-0405-000		1	SCREW,MACH.,PAN HEAD,M2X6	
41	FS7-2221-000		1	SPRING, COMPRESSION	
42	FS7-2227-000		1	SPRING, COMPRESSION	
43	FB5-0499-000		1	SPRING, LEAF	SEE NOTE 2
501	XD3-2200-182		1	PIN,DOWEL	
502	XD2-1100-642		3	RING,E	
503	XD2-1100-322		5	RING,E	
504	XD2-2100-502		2	RING,GRIP	
505	XD2-2300-202		2	RING,TOOTHED LOCK	
506	XD3-2200-142		1	PIN,DOWEL	
507	XD2-1100-402		1	RING,E	
508	XD2-1100-502		4	RING,E	
509	XD2-2100-402		1	RING,GRIP	
510	XB1-2400-609		1	SCREW,MACH.,TRUSS HEAD,M4X6	
511	XB4-7300-809		3	SCREW,TAPPING,TRUSS HEAD,M3X8	
512	XB6-7301-009		1	SCREW,TP,M3X10	
513	XD2-1100-242		1	RING,E	
514	XD3-1200-082		1	PIN,SPRING	

FIGURE & KEY NO.	PART NUMBER	R A N K	Q T Y	DESCRIPTION	SERIAL NUMBER / REMARKS
P40 - 515	XD3-2200-182		1	PIN,DOWEL	
516	XB6-7300-606		1	SCREW,TP,M3X6	SEE NOTE 2

# FIGURE P41

## REVERSE COVER ASSEMBLY



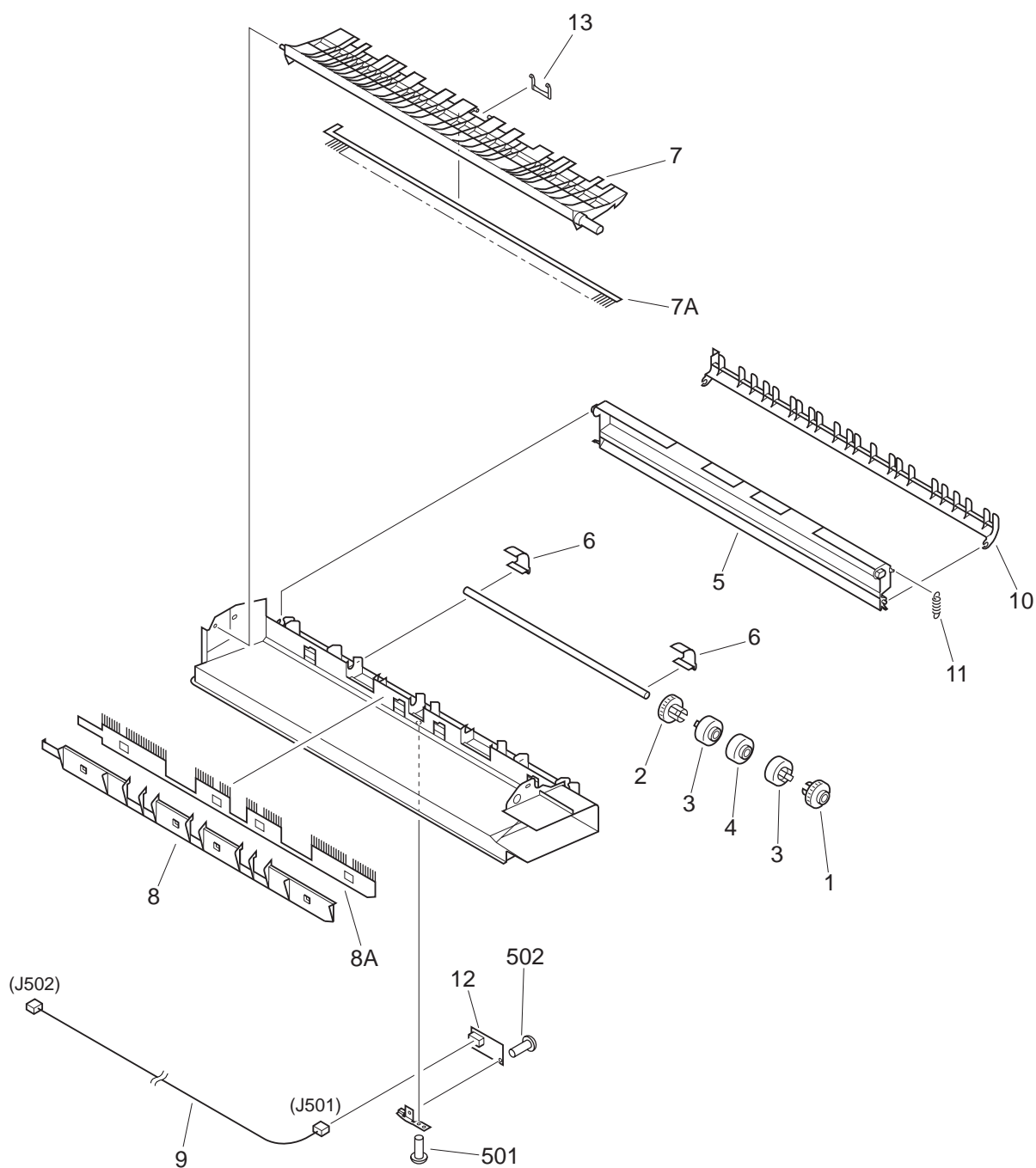
NOTE : This assembly is included in the assembly shown in Figure P40.



FIGURE & KEY NO.	PART NUMBER	RANK	QTY	DESCRIPTION	SERIAL NUMBER / REMARKS
P41 -	FG6-3939-000		1	REVERSE COVER ASSEMBLY	SEE NOTE
1	FB5-0350-000		1	PIN, POSITIONING	
2	FB5-0371-000		5	ROLLER, DELIVERY, E	
3	FB5-0378-000		1	SUPPORT, REVERSE ROLLER, 1	
4	FB5-0379-000		2	SUPPORT, DELIVERY ROLLER	
5	FB5-0384-000		5	ROLLER, REVERSE, E	
6	FB5-0388-000		1	SPRING, TORSION	
7	FB5-0389-000		1	FLAG, SENSOR, PRE-REGISTRATION	
8	FB5-0390-000		5	HOLDER,ROLLER,REVERSE REGIST.	
9	FB5-0391-000		5	HOLDER, DELIVERY ROLLER	
10	FB5-0392-000		4	SPRING, LEAF	
11	FB5-0393-000		4	SPRING, LEAF	
12	FF5-9148-000		2	PLATE,COMPRESSION,CENTER GUIDE	
13	FB5-0377-000		1	SUPPORT, REVERSE ROLLER, 2	
501	XB4-7300-809		1	SCREW,TAPPING,TRUSS HEAD,M3X8	
502	XB4-7300-609		8	SCREW,TAPPING,TRUSS HEAD,M3X6	

# FIGURE P42

## DOCUMENT DELIVERY ASSEMBLY



NOTE : This assembly is included in the assembly shown in Figure P40.

FIGURE & KEY NO.	PART NUMBER	R A N K	Q T Y	DESCRIPTION	SERIAL NUMBER / REMARKS
P42 -	FG6-3942-000		1	DOCUMENT DELIVERY ASSEMBLY	SEE NOTE
1	FB5-0396-000		1	ROLLER, OUTLET, FRONT	
2	FB5-0397-000		1	ROLLER, OUTLET, REAR	
3	FB5-0399-000		2	ROLLER, DELIVERY, 1	
4	FB5-0407-000		1	ROLLER, DELIVERY, 2	
5	FB5-0409-000		1	GUIDE, DELIVERY, INTERNAL	
6	FB5-0413-000		2	SPRING, LEAF	
7	FF5-9151-000		1	FLAPPER, OUTLET	
7A	FB5-0410-000		1	STATIC CHARGE ELIMINATOR	
8	FF5-9170-000		1	HOLDER, STATIC CHARGE ELIM.	
8A	FB5-0368-000		1	STATIC CHARGE ELIMINATOR	
9	FG3-0493-000		1	REVERSE SENSOR CABLE	J501,502
10	FB5-0354-000		1	GUIDE, SWING, INTERNAL	
11	FS7-2224-000		1	SPRING, TENSION	
12	FG3-0237-000		1	REVERSE SENSOR PCB ASSEMBLY	
13	FB5-2222-000		1	PLATE, END	
501	XB4-7300-809		1	SCREW,TAPPING,TRUSS HEAD,M3X8	
502	XB1-2300-409		1	SCREW,MACH.,TRUSS HEAD,M3X4	

# FIGURE P90

## ADF CONTROLLER PCB ASSEMBLY

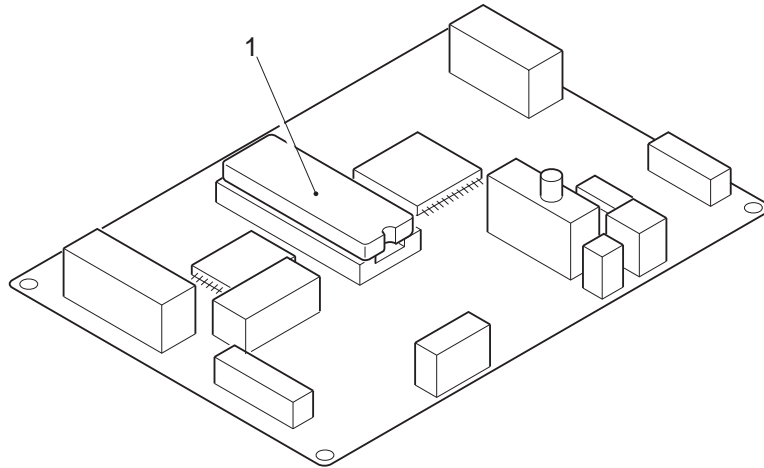


FIGURE & KEY NO.	PART NUMBER	RANK	QTY	DESCRIPTION	SERIAL NUMBER / REMARKS
P90 -	FG3-0233-000		1	ADF CONTROLLER PCB ASSEMBLY	
1	FF3-3738-000		1	IC, M27C1001-80XF1, CMOS	Q2
LED1	WG1-0373-000		1	LED, SEL2110RTP1	
LED2	WG1-0373-000		1	LED, SEL2110RTP1	
Q3	FH4-5560-000		1	IC, M38881M2-010GP, IPC	
Q 25	WA2-6170-000		1	TRANSISTOR, 2SJ303, FET	

# FIGURE PB

## LIST OF CONNECTORS

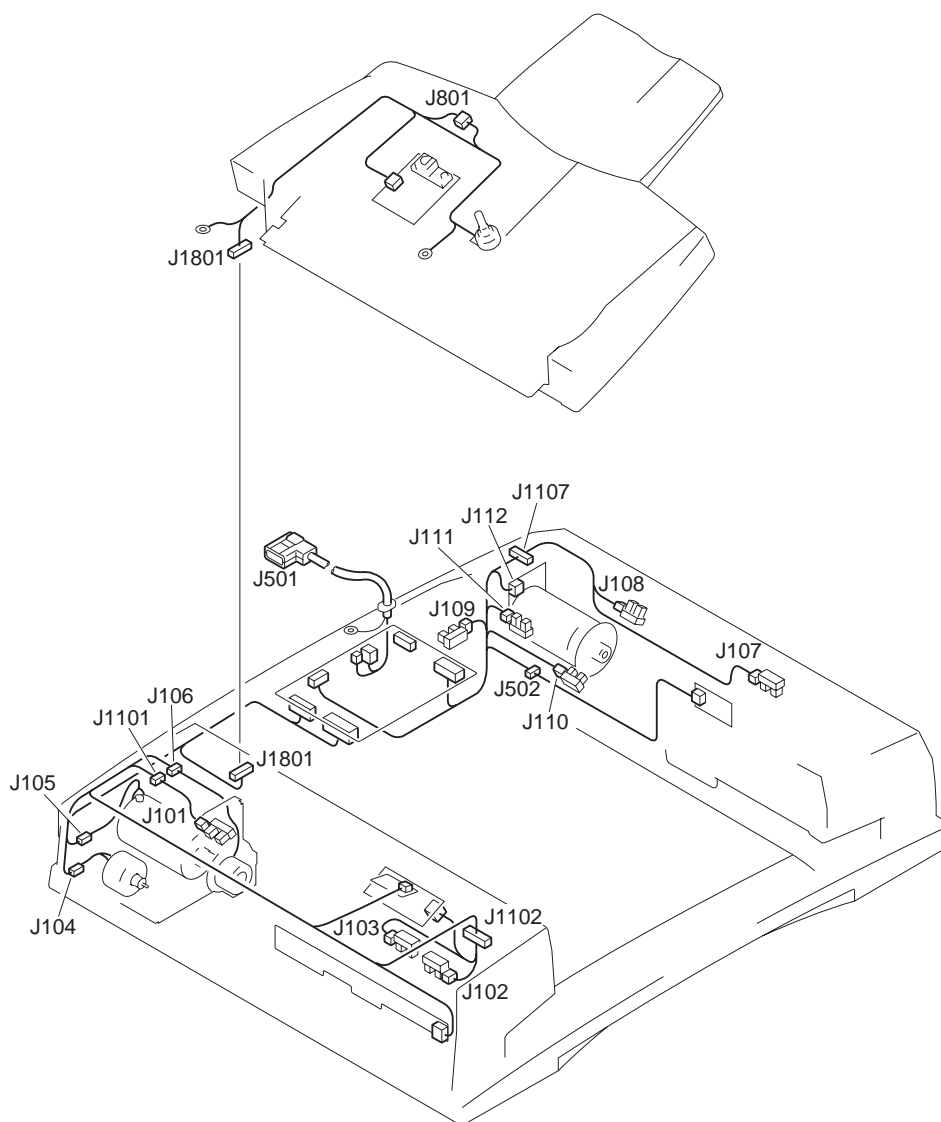


FIGURE & KEY NO.	PART NUMBER	R A N K	Q T Y	DESCRIPTION	SERIAL NUMBER / REMARKS
P B -	NPN		RF	LIST OF CONNECTORS	
J 1	PCB			ADF CONTROLLER PCB ASSEMBLY	
	VS3-5080-007		1	CONNECTOR, 7P, FEMALE	
J 2	PCB			ADF CONTROLLER PCB ASSEMBLY	
	VS3-5083-002		1	CONNECTOR, 2P, FEMALE	
J 3	PCB			ADF CONTROLLER PCB ASSEMBLY	
J 5	PCB			ADF CONTROLLER PCB ASSEMBLY	
	VS1-0279-006		1	CONNECTOR, 6P, FEMALE	
J 6	PCB			ADF CONTROLLER PCB ASSEMBLY	
	VS1-6313-015		1	CONNECTOR, 15P, FEMALE	
	VS1-6314-015		1	CONNECTOR, 15P, FEMALE	
	VT2-5161-030		1	HOLDER, CONNECTOR, 30P	
J 7	PCB			ADF CONTROLLER PCB ASSEMBLY	
	VS1-6313-011		1	CONNECTOR, 11P, FEMALE	
	VS1-6314-011		1	CONNECTOR, 11P, FEMALE	
	VT2-5161-022		1	HOLDER, CONNECTOR, 22P	
J 9	PCB			ADF CONTROLLER PCB ASSEMBLY	
	VS1-0279-002		1	CONNECTOR, 2P, FEMALE	
J 10	PCB			ADF CONTROLLER PCB ASSEMBLY	
J 101	NPN			FEEDER CLOCK SENSOR	SR1
J 102	NPN		1	CONNECTOR, 3P, FEMALE	
	VS1-0842-003		1	CONNECTOR, 3P, FEMALE	SR2
J 103	NPN			SEPARATION SENSOR	SR3
	VS1-0842-003		1	CONNECTOR, 3P, FEMALE	
J 104	NPN			SEPARATION MOTOR	M1
	VS1-0280-003		1	CONNECTOR, 3P, FEMALE	
J 105	NPN			FEEDER MOTOR	M2
	VS1-0279-002		1	CONNECTOR, 2P, FEMALE	
J 106	NPN			ELECTROMAGNETIC BRAKE	BK1

FIGURE & KEY NO.	PART NUMBER	RANK	QTY	DESCRIPTION	SERIAL NUMBER / REMARKS
P B - J 106	VS1-0280-002		1	CONNECTOR, 2P, FEMALE	
J 107	NPN			INLET GUIDE SENSOR	SR4
	VS1-0842-003		1	CONNECTOR, 3P, FEMALE	
J 108	NPN			DELIVERY REGISTRATION SENSOR	SR5
	VS1-0842-003		1	CONNECTOR, 3P, FEMALE	
J 109	NPN			MAIN COVER OPEN SENSOR	SR6
	VS1-6320-003		1	CONNECTOR, 3P, MALE	
J 110	NPN			DELIVERY CLOCK SENSOR	SR7
	VS1-6320-003		1	CONNECTOR, 3P, MALE	
J 111	NPN			DELIVERY COVER SENSOR	SR8
J 112	NPN			DELIVERY MOTOR	M3
	VS1-6320-003		1	CONNECTOR, 3P, MALE	
	VS3-0172-003		1	CONNECTOR, 3P, FEMALE	
J 201	PCB			REGISTRATION SENSOR PCB ASS'Y	
	VS1-6320-005		1	CONNECTOR, 5P, FEMALE	
J 301	PCB			DOCUMENT SENSOR PCB ASSEMBLY	
	VS1-0842-005		1	CONNECTOR, 5P, FEMALE	
J 401	PCB			PRE-LAST SENSOR PCB ASSEMBLY	
	VS1-0842-005		1	CONNECTOR, 5P, FEMALE	
J 501	FH2-6481-000		1	HOUSING	
J 502	PCB			REVERSE SENSOR PCB ASSEMBLY	
	VS1-0842-005		1	CONNECTOR, 5P, FEMALE	
	VS3-5080-007		1	CONNECTOR, 7P, FEMALE	
	VS1-0842-005		1	CONNECTOR, 5P, FEMALE	
	VS1-6198-005		1	CONNECTOR, SNAP TIGHT	
J 701	PCB			DISPLAY LED PCB ASSEMBLY	
	VS1-6321-005		1	CONNECTOR, 5P, FEMALE	
	VS1-6320-002		1	CONNECTOR, 2P, FEMALE	
J 801	PCB			ROTARY VR PCB ASSEMBLY	
	VS1-0842-003		1	CONNECTOR, 3P, FEMALE	

FIGURE & KEY NO.	PART NUMBER	RANK	QTY	DESCRIPTION	SERIAL NUMBER / REMARKS
P B - J 801	VS1-6198-003		1	CONNECTOR, SNAP TIGHT	
J1101	VS1-0842-003		1	CONNECTOR, 3P, FEMALE	
	VS1-6198-003		1	CONNECTOR, SNAP TIGHT	
	VS1-6321-003		1	CONNECTOR, 3P, FEMALE	
J1102	VS1-0842-011		1	CONNECTOR, 11P, FEMALE	
	VS1-5057-011		1	CONNECTOR, SNAP TIGHT	
	VS1-6321-011		1	CONNECTOR, 11P, FEMALE	
J1107	VS1-0842-006		1	CONNECTOR, 6P, FEMALE	
	VS1-6198-006		1	CONNECTOR, SNAP TIGHT	
	VS1-6321-006		1	CONNECTOR, 6P, FEMALE	
J1801	VS1-0842-008		1	CONNECTOR, 8P, FEMALE	
	VS1-5057-008		1	CONNECTOR, SNAP TIGHT	
	VS1-6320-008		1	CONNECTOR, 8P, FEMALE	



# PD NUMERICAL INDEX

PART NUMBER	FIGURE & KEY NO.	PART NUMBER	FIGURE & KEY NO.	PART NUMBER	FIGURE & KEY NO.
FA3 - 4725 - 000	P10 - 1	FB5 - 0510 - 000	P11 - 6	FH6 - 1671 - 000	P21 - 21
FA3 - 8727 - 000	P21 - 1	FB5 - 0511 - 000	P11 - 7	FH6 - 1672 - 000	P20 - 4
	P30 - 23	FB5 - 0512 - 000	P10 - 13	FH6 - 1673 - 000	P40 - 19
FB3 - 5699 - 000	P10 - 2	FB5 - 0521 - 000	P35 - 2	FS1 - 1213 - 000	P21 - 15
FB4 - 6890 - 000	P10 - 3	FB5 - 0524 - 000	P10 - 7	FS1 - 1346 - 000	P21 - 5
FB4 - 6918 - 000	P35 - 11A	FB5 - 0525 - 000	P10 - 8	FS1 - 1510 - 000	P30 - 21
FB4 - 6934 - 000	P35 - 1	FB5 - 0526 - 000	P10 - 9	FS1 - 1528 - 000	P30 - 26
FB4 - 6952 - 000	P10 - 14	FB5 - 2203 - 000	P10 - 22	FS2 - 1357 - 000	P30 - 27
FB5 - 0350 - 000	P41 - 1	FB5 - 2204 - 000	P01 - 5A	FS2 - 9394 - 000	P30 - 20
FB5 - 0351 - 000	P40 - 1	FB5 - 2205 - 000	P01 - 5A	FS5 - 1897 - 000	P40 - 7
FB5 - 0352 - 000	P40 - 36	FB5 - 2206 - 000	P01 - 5A	FS5 - 1898 - 000	P40 - 8
FB5 - 0354 - 000	P42 - 10	FB5 - 2207 - 000	P10 - 17	FS5 - 1899 - 000	P40 - 32
FB5 - 0358 - 000	P40 - 2	FB5 - 2208 - 000	P21 - 22	FS5 - 1902 - 000	P30 - 9
FB5 - 0360 - 000	P40 - 26	FB5 - 2215 - 000	P35 - 10	FS5 - 1903 - 000	P30 - 28
FB5 - 0363 - 000	P40 - 3	FB5 - 2218 - 000	P40 - 24	FS5 - 3754 - 000	P40 - 9
FB5 - 0364 - 000	P40 - 4	FB5 - 2222 - 000	P42 - 13	FS5 - 3757 - 000	P21 - 19
FB5 - 0365 - 000	P40 - 5	FB5 - 2225 - 000	P21 - 13	FS5 - 3758 - 000	P30 - 10
FB5 - 0367 - 000	P40 - 23	FB5 - 2233 - 000	P30 - 32	FS5 - 3760 - 000	P20 - 2
FB5 - 0368 - 000	P42 - 8A	FF3 - 3738 - 000	P90 - 1	FS5 - 6703 - 000	P32 - 9
FB5 - 0371 - 000	P41 - 2	FF5 - 9144 - 000	P01 - 1	FS5 - 9439 - 000	P30 - 31
FB5 - 0375 - 000	P40 - 6	FF5 - 9148 - 000	P41 - 12	FS5 - 9563 - 000	P30 - 36
FB5 - 0377 - 000	P41 - 13	FF5 - 9150 - 000	P40 - 25	FS5 - 9586 - 000	P21 - 6
FB5 - 0378 - 000	P41 - 3	FF5 - 9151 - 000	P42 - 7	FS5 - 9587 - 000	P10 - 18
FB5 - 0379 - 000	P41 - 4	FF5 - 9152 - 000	P01 - 5	FS5 - 9588 - 000	P10 - 20
FB5 - 0381 - 000	P01 - 5A	FF5 - 9153 - 000	P21 - 16	FS5 - 9589 - 000	P01 - 3
FB5 - 0382 - 000	P33 - 6	FF5 - 9154 - 000	P32 - 4	FS5 - 9590 - 000	P01 - 4
FB5 - 0384 - 000	P41 - 5	FF5 - 9156 - 000	P30 - 6	FS5 - 9591 - 000	P01 - 6
FB5 - 0388 - 000	P41 - 6	FF5 - 9157 - 000	P30 - 19	FS6 - 0509 - 000	P11 - 9
FB5 - 0389 - 000	P41 - 7	FF5 - 9158 - 000	P30 - 7	FS6 - 0617 - 000	P21 - 7
FB5 - 0390 - 000	P41 - 8	FF5 - 9159 - 000	P30 - 8	FS6 - 2370 - 000	P32 - 7
FB5 - 0391 - 000	P41 - 9	FF5 - 9160 - 000	P32 - 5	FS6 - 8850 - 000	P11 - 12A
FB5 - 0392 - 000	P41 - 10	FF5 - 9161 - 000	P32 - 6	FS6 - 8851 - 000	P11 - 10A
FB5 - 0393 - 000	P41 - 11	FF5 - 9162 - 000	P31 - 3	FS6 - 8852 - 000	P11 - 12A
FB5 - 0394 - 000	P40 - 30	FF5 - 9163 - 000	P31 - 4	FS6 - 8853 - 000	P11 - 12A
FB5 - 0396 - 000	P42 - 1	FF5 - 9165 - 000	P21 - 4	FS6 - 8854 - 000	P11 - 12A
FB5 - 0397 - 000	P42 - 2	FF5 - 9170 - 000	P42 - 8	FS6 - 8956 - 000	P11 - 10A
FB5 - 0398 - 000	P40 - 31	FF5 - 9171 - 000	P01 - 2	FS6 - 8957 - 000	P10 - 12
FB5 - 0399 - 000	P42 - 3	FF5 - 9483 - 000	P33 - 5	FS6 - 8958 - 000	P11 - 14
FB5 - 0403 - 000	P40 - 39	FF5 - 9484 - 000	P11 - 12	FS7 - 0462 - 000	P40 - 10
FB5 - 0405 - 000	P40 - 40	FF5 - 9485 - 000	P11 - 10	FS7 - 0463 - 000	P40 - 11
FB5 - 0407 - 000	P42 - 4	FF5 - 9486 - 000	P01 - 5	FS7 - 0464 - 000	P40 - 33
FB5 - 0409 - 000	P42 - 5	FF5 - 9487 - 000	P01 - 5	FS7 - 0465 - 000	P40 - 34
FB5 - 0410 - 000	P42 - 7A	FF5 - 9488 - 000	P01 - 5	FS7 - 0466 - 000	P40 - 35
FB5 - 0413 - 000	P42 - 6	FF5 - 9489 - 000	P11 - 12	FS7 - 0467 - 000	P30 - 11
FB5 - 0414 - 000	P40 - 27	FF5 - 9490 - 000	P11 - 12	FS7 - 0468 - 000	P30 - 12
FB5 - 0415 - 000	P40 - 28	FF5 - 9491 - 000	P11 - 12	FS7 - 0469 - 000	P30 - 29
FB5 - 0418 - 000	P11 - 13	FF5 - 9492 - 000	P11 - 10	FS7 - 0470 - 000	P30 - 30
FB5 - 0419 - 000	P35 - 6	FG3 - 0233 - 000	P90 -	FS7 - 0473 - 000	P21 - 8
FB5 - 0420 - 000	P10 - 4	FG3 - 0235 - 000	P33 - 7	FS7 - 0474 - 000	P21 - 9
FB5 - 0423 - 000	P01 - 1A	FG3 - 0237 - 000	P42 - 12	FS7 - 0475 - 000	P21 - 10
FB5 - 0426 - 000	P10 - 5	FG3 - 0485 - 000	P33 - 8	FS7 - 0478 - 000	P21 - 11
FB5 - 0427 - 000	P10 - 6	FG3 - 0487 - 000	P10 - 19	FS7 - 0479 - 000	P21 - 12
FB5 - 0430 - 000	P30 - 1	FG3 - 0488 - 000	P30 - 17	FS7 - 0481 - 000	P21 - 20
FB5 - 0431 - 000	P30 - 2	FG3 - 0489 - 000	P40 - 20	FS7 - 2012 - 000	P10 - 10
FB5 - 0437 - 000	P30 - 3	FG3 - 0490 - 000	P33 - 4	FS7 - 2221 - 000	P40 - 41
FB5 - 0440 - 000	P30 - 4	FG3 - 0491 - 000	P11 - 11	FS7 - 2222 - 000	P40 - 12
FB5 - 0447 - 000	P33 - 1	FG3 - 0492 - 000	P40 - 21	FS7 - 2223 - 000	P40 - 13
FB5 - 0451 - 000	P32 - 1	FG3 - 0493 - 000	P42 - 9	FS7 - 2224 - 000	P42 - 11
FB5 - 0452 - 000	P32 - 12	FG3 - 0545 - 000	P20 - 8	FS7 - 2225 - 000	P40 - 14
FB5 - 0454 - 000	P32 - 13	FG6 - 3938 - 000	P40 -	FS7 - 2226 - 000	P40 - 15
FB5 - 0455 - 000	P32 - 14	FG6 - 3939 - 000	P41 -	FS7 - 2227 - 000	P40 - 42
FB5 - 0456 - 000	P32 - 15	FG6 - 3940 - 000	P40 - 29	FS7 - 2228 - 000	P40 - 18
FB5 - 0457 - 000	P32 - 2	FG6 - 3941 - 000	P40 - 38	FS7 - 2229 - 000	P35 - 7
FB5 - 0461 - 000	P10 - 21	FG6 - 3942 - 000	P42 -	FS7 - 2230 - 000	P35 - 9
FB5 - 0466 - 000	P30 - 24	FG6 - 3950 - 000	P30 -	FS7 - 2231 - 000	P30 - 13
FB5 - 0470 - 000	P31 - 1	FG6 - 3951 - 000	P33 -	FS7 - 2232 - 000	P30 - 14
FB5 - 0472 - 000	P31 - 2	FG6 - 3952 - 000	P32 -	FS7 - 2233 - 000	P30 - 15
FB5 - 0474 - 000	P32 - 10A	FG6 - 3953 - 000	P32 - 10	FS7 - 2234 - 000	P32 - 8
FB5 - 0475 - 000	P30 - 5	FG6 - 3954 - 000	P30 - 22	FS7 - 2236 - 000	P10 - 15
FB5 - 0483 - 000	P21 - 2	FG6 - 3956 - 000	P31 -	FS7 - 2237 - 000	P10 - 11
FB5 - 0484 - 000	P21 - 3	FG6 - 3957 - 000	P32 - 11	FS7 - 2239 - 000	P35 - 3
FB5 - 0486 - 000	P30 - 25	FG6 - 3958 - 000	P11 -	FS7 - 2364 - 000	P35 - 12
FB5 - 0490 - 000	P32 - 3	FG6 - 3959 - 000	P11 -	PCB	P B - J 1
FB5 - 0491 - 000	P20 - 1	FG6 - 3960 - 000	P11 -		P B - J 2
FB5 - 0494 - 000	P32 - 6A	FG6 - 3961 - 000	P11 -		P B - J 3
FB5 - 0495 - 000	P21 - 17	FG6 - 3962 - 000	P20 -		P B - J 5
FB5 - 0496 - 000	P21 - 18	FG6 - 3963 - 000	P21 -		P B - J 6
FB5 - 0498 - 000	P33 - 2	FG6 - 3964 - 000	P20 - 9		P B - J 7
FB5 - 0499 - 000	P40 - 43	FG6 - 3965 - 000	P35 -		P B - J 9
FB5 - 0500 - 000	P30 - 18	FG6 - 3966 - 000	P35 - 5		P B - J 10
FB5 - 0501 - 000	P30 - 37	FG6 - 3967 - 000	P35 - 11		P B - J 201
FB5 - 0504 - 000	P11 - 2	FG6 - 4562 - 000	P11 - 1		P B - J 301
FB5 - 0505 - 000	P11 - 3	FG6 - 4563 - 000	P11 - 8		P B - J 401
FB5 - 0506 - 000	P11 - 4	FH2 - 6481 - 000	P B - J 501		P B - J 501
FB5 - 0508 - 000	P11 - 5	FH4 - 5560 - 000	P90 - Q 3		P B - J 701

PART NUMBER	FIGURE & KEY NO.	PART NUMBER	FIGURE & KEY NO.	PART NUMBER	FIGURE & KEY NO.
PCB	P B - J 801	XB4 - 7300 - 809	P11 - 501		
RS5 - 9061 - 000	P30 - 35		P40 - 511		
VS1 - 0279 - 002	P B - J 9		P41 - 501		
	P B - J 105		P42 - 501		
VS1 - 0279 - 006	P B - J 5	XB4 - 7400 - 806	P10 - 508		
VS1 - 0280 - 002	P B - J 106	XB4 - 7400 - 809	P10 - 507		
VS1 - 0280 - 003	P B - J 104		P33 - 502		
VS1 - 0842 - 003	P B - J 101	XB6 - 2400 - 409	P35 - 501		
	P B - J 102	XB6 - 7300 - 606	P10 - 503		
	P B - J 103		P40 - 516		
	P B - J 107	XB6 - 7300 - 609	P30 - 510		
	P B - J 108	XB6 - 7301 - 009	P40 - 512		
	P B - J 801	XB6 - 7400 - 806	P11 - 503		
	P B - J1101	XD1 - 4200 - 302	P10 - 505		
VS1 - 0842 - 005	P B - J 301	XD2 - 1100 - 242	P40 - 513		
	P B - J 401	XD2 - 1100 - 322	P30 - 506		
	P B - J 501		P40 - 503		
	P B - J 502	XD2 - 1100 - 402	P21 - 505		
	P B - J1107		P40 - 507		
VS1 - 0842 - 006	P B - J1801	XD2 - 1100 - 502	P21 - 501		
VS1 - 0842 - 008	P B - J1102		P30 - 505		
VS1 - 0842 - 011	P B - J1801		P40 - 508		
VS1 - 5057 - 008	P30 - 17A	XD2 - 1100 - 642	P30 - 504		
VS1 - 5057 - 011	P B - J1102		P35 - 502		
	P33 - 4A		P40 - 502		
VS1 - 6198 - 003	P B - J 801	XD2 - 2100 - 402	P40 - 509		
	P B - J1101	XD2 - 2100 - 502	P40 - 504		
	P11 - 11A	XD2 - 2100 - 802	P30 - 503		
	P20 - 8A		P35 - 503		
VS1 - 6198 - 005	P B - J 502	XD2 - 2300 - 202	P40 - 505		
	P40 - 20A	XD3 - 1200 - 082	P30 - 502		
VS1 - 6198 - 006	P B - J1107		P40 - 514		
	P40 - 20B	XD3 - 2200 - 102	P21 - 502		
VS1 - 6313 - 011	P B - J 7	XD3 - 2200 - 122	P30 - 501		
VS1 - 6313 - 015	P B - J 6	XD3 - 2200 - 142	P40 - 506		
VS1 - 6314 - 011	P B - J 7	XD3 - 2200 - 182	P40 - 501		
VS1 - 6314 - 015	P B - J 6		P40 - 515		
VS1 - 6320 - 002	P B - J 701	XD9 - 0151 - 000	P35 - 4		
VS1 - 6320 - 003	P B - J 109	XF2 - 1106 - 080	P20 - 5		
	P B - J 110	XF2 - 1107 - 660	P20 - 6		
	P B - J 111	XF2 - 1108 - 740	P40 - 17		
VS1 - 6320 - 005	P B - J 201	XF2 - 1206 - 032	P21 - 14		
VS1 - 6320 - 008	P B - J1801	XF2 - 1303 - 495	P30 - 16		
VS1 - 6321 - 003	P B - J1101	XG9 - 0403 - 000	P35 - 8		
VS1 - 6321 - 005	P B - J 502				
VS1 - 6321 - 006	P B - J1107				
VS1 - 6321 - 011	P B - J1102				
VS3 - 0172 - 003	P B - J 112				
VS3 - 5080 - 007	P B - J 1				
	P B - J 501				
VS3 - 5083 - 002	P B - J 2				
VT2 - 5161 - 022	P B - J 7				
VT2 - 5161 - 030	P B - J 6				
WA2 - 6170 - 000	P90 - Q 25				
WG1 - 0373 - 000	P90 - LED1				
	P90 - LED2				
WG8 - 5362 - 000	P10 - 16				
	P33 - 3				
	P40 - 16				
WG8 - 5426 - 000	P20 - 7				
	P40 - 22				
XA9 - 0633 - 000	P01 - 7				
XA9 - 0892 - 000	P20 - 3				
	P30 - 34				
XA9 - 0894 - 000	P30 - 33				
	P40 - 37				
XB1 - 2260 - 409	P21 - 503				
XB1 - 2300 - 406	P30 - 509				
XB1 - 2300 - 409	P30 - 508				
	P32 - 502				
	P42 - 502				
XB1 - 2300 - 606	P10 - 506				
XB1 - 2300 - 607	P30 - 507				
XB1 - 2300 - 609	P10 - 502				
	P21 - 504				
	P32 - 501				
	P33 - 501				
XB1 - 2400 - 609	P10 - 501				
	P20 - 501				
	P40 - 510				
XB1 - 2400 - 806	P10 - 504				
XB4 - 7300 - 609	P11 - 502				
	P41 - 502				
XB4 - 7300 - 806	P10 - 509				
XB4 - 7300 - 809	P10 - 510				

Prepared by  
OFFICE IMAGING PRODUCTS TECHNICAL SUPPORT  
DEPT.3  
OFFICE IMAGING PRODUCTS TECHNICAL SUPPORT  
DIV.  
CANON INC.  
Printed in Japan

REVISION 0 [ MAR. 1999 ]

5-1, Hakusan 7-chome, Toride-shi, Ibaraki 302-8501,

**Canon**